

Short Form LED Displays

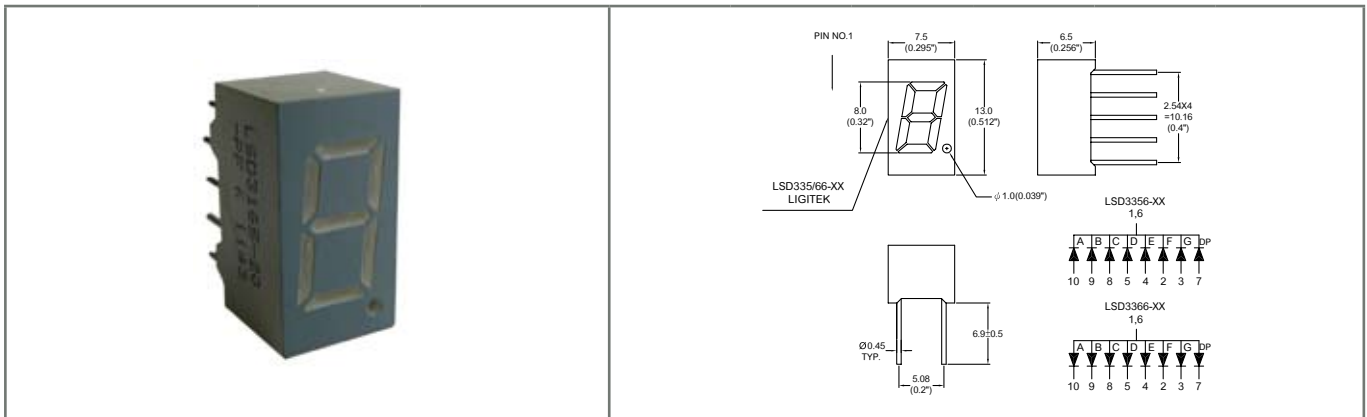
**OPTO ELECTRONIC
COMPONENTS**



Greener
and brighter

SINGLE DIGIT DISPLAY

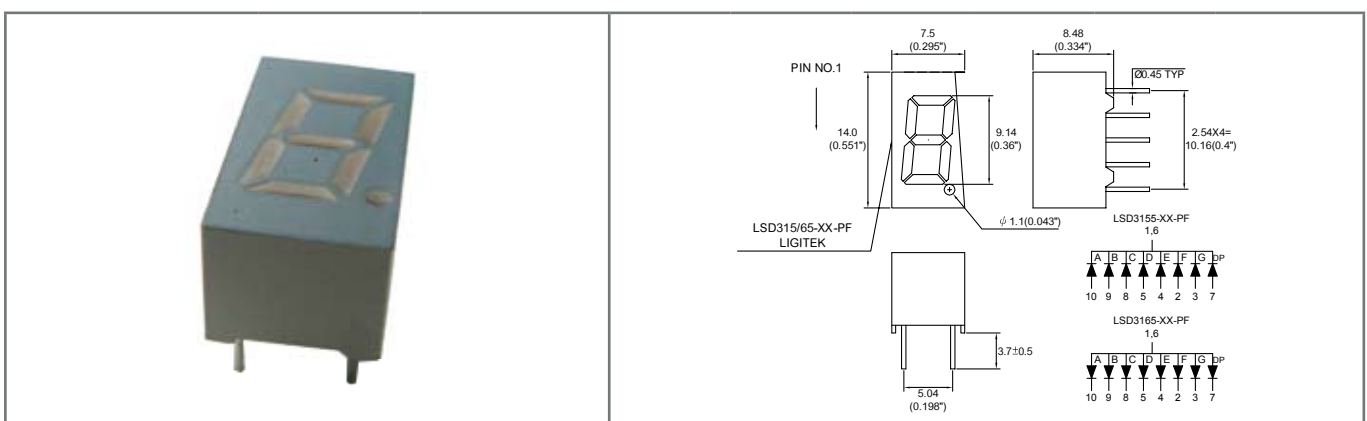
0.32"



Part No	Chip			Vf(V)@20mA		Iv(mcd)@10mA		CC or CA
	Material	Emitted color	$\lambda P(\text{nm})$ * $\lambda D(\text{nm})$	Min	Max	Min	Typ	
LSD3352-XX	GaP	Green	565	1.7	2.6	1.75	3.5	CC
LSD3362-XX								CA
LSD3355-XX	GaAlAs	Red	660	1.5	2.4	3.05	5.0	CC
LSD3365-XX								CA
LSD3356-XX	GaAlAs	Red	660	1.5	2.4	4.0	7.2	CC
LSD3366-XX								CA
LSD3354-XX	GaAsP/GaP	Orange Red	635	1.7	2.6	1.0	1.75	CC
LSD3364-XX								CA
LSD3353HS-XX/S1-PF	AlGaInP	Yellow	* 587	1.7	2.6	31 (20mA)	50 (20mA)	CC
LSD3363HS-XX/S1-PF								CA

SINGLE DIGIT DISPLAY

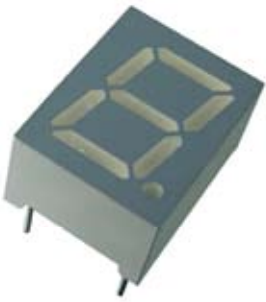
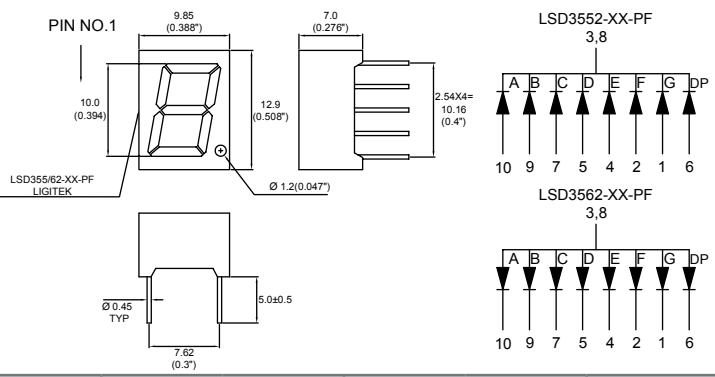
0.36"



Part No	Chip			Vf(V)@20mA		Iv(mcd)@10mA		CC or CA
	Material	Emitted color	$\lambda P(\text{nm})$ * $\lambda D(\text{nm})$	Min	Max	Min	Typ	
LSD3152-XX-PF	GaP	Green	565	1.7	2.6	1.35	2.35	CC
LSD3162-XX-PF								CA
LSD3155-XX-PF	GaAlAs	Red	660	1.5	2.4	3.05	5.0	CC
LSD3165-XX-PF								CA
LSD3155F-XX-PF	AlGaInP	Red	* 630	1.5	2.4	4.0	6.1	CC
LSD3165F-XX-PF								CA

SINGLE DIGIT DISPLAY


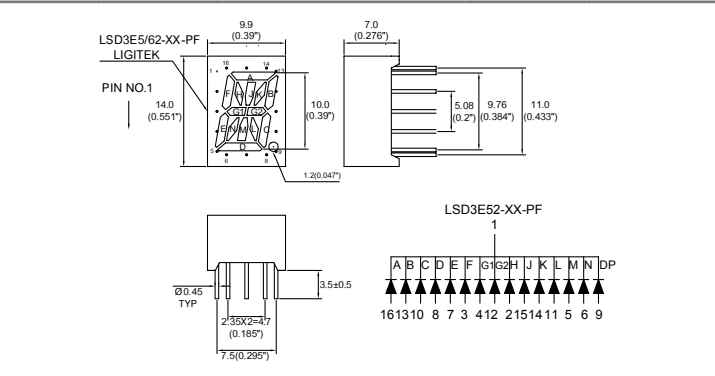
0.39"

Part No	Chip			Vf(V)@20mA		Iv(mcd)@10mA * @20mA		CC or CA
	Material	Emitted color	λP (nm) * λD (nm)	Min	Max	Min	Typ	
LSD3552-XX-PF	GaP	Green	565	1.7	2.6	1.75	3.5	CC
LSD3562-XX-PF								CA
LSD3555-XX-PF	GaAlAs	Red	660	1.5	2.4	4.0	7.2	CC
LSD3565-XX-PF								CA
LSD3556F-XX	AlGaInP	Red	* 630	1.5	2.4	8.5	12.8	CC
LSD3566F-XX								CA
LSD3553HS-XX	AlGaInP	Yellow	* 587	1.7	2.6	* 18	* 31	CC
LSD3563HS-XX								CA
LSD355DBK-XX-PF	InGaN	Blue	* 470	2.8	3.8	18	26	CC
LSD356DBK-XX-PF								CA

SINGLE DIGIT DISPLAY

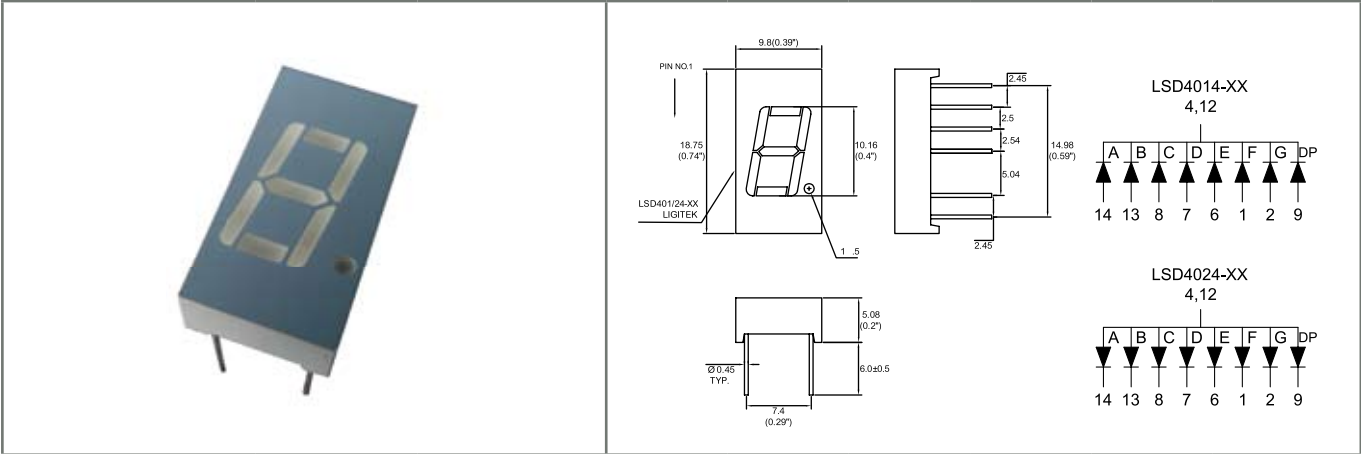
0.39"

Part No	Chip			Vf(V)@20mA		Iv(mcd)@10mA		CC or CA
	Material	Emitted color	λP (nm) * λD (nm)	Min	Max	Min	Typ	
LSD3E52-XX-PF	GaP	Green	565	1.5	2.4	1.0	1.75	CC
LSD3E62-XX-PF								CA
LSD3E53HS-XX	AlGaInP	Yellow	* 587	1.7	2.8	Segment 20 33 Decimal 6.5 11		CC

SINGLE DIGIT DISPLAY

0.4"

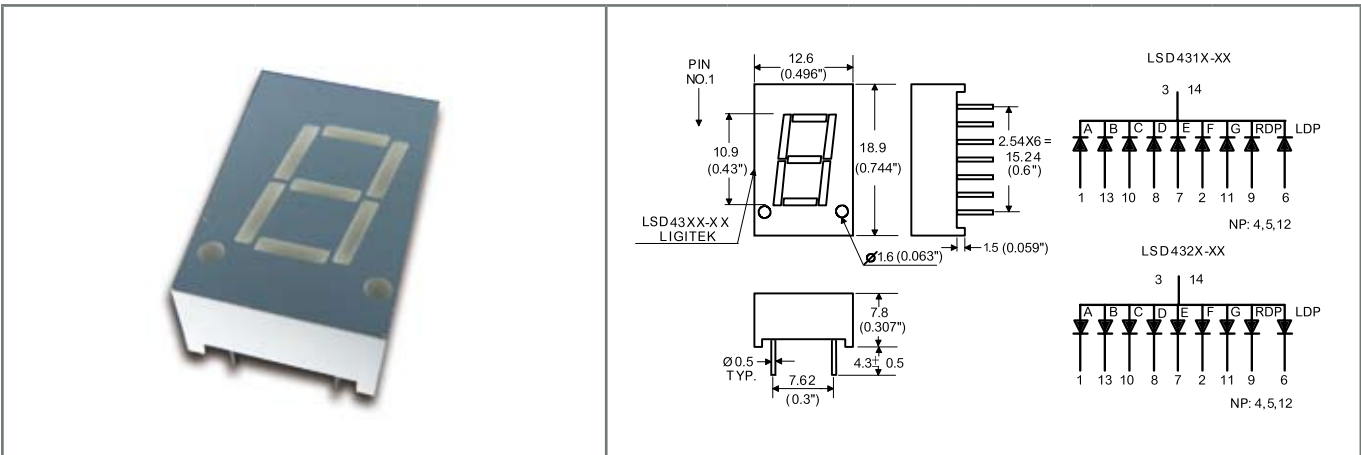


Part No	Chip			Vf(V)@20mA		Iv(mcd)@10mA		CC or CA
	Material	Emitted color	λP(nm)	Min	Max	Min	Typ	
LSD4012-XX	GaP	Green	565	1.7	2.6	1.75	3.05	CC
LSD4022-XX								CA
LSD4014-XX	GaAsP/GaP	Orange Red	635	1.7	2.6	1.35	2.35	CC
LSD4024-XX								CA

SINGLE DIGIT DISPLAY

0.43"

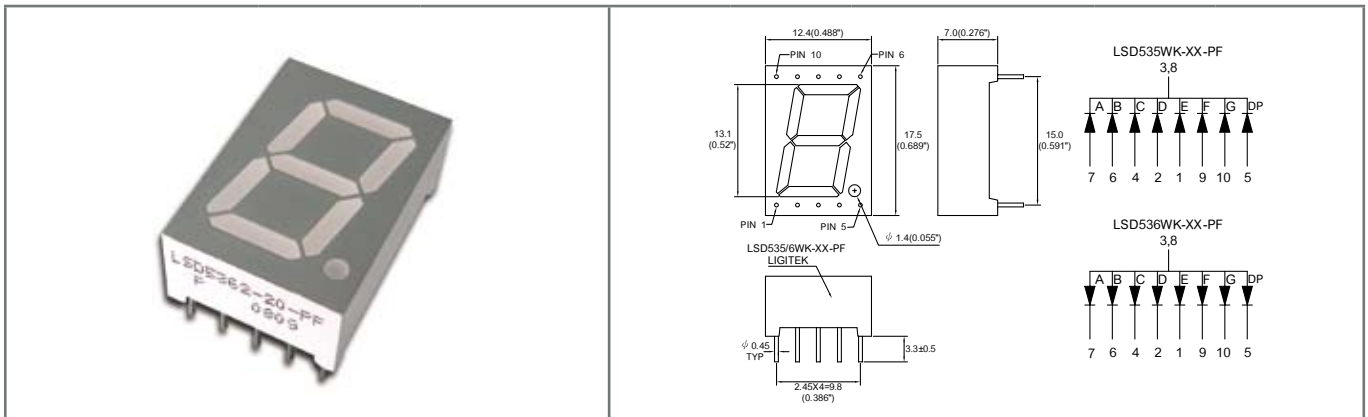
DIGIT DISPLAY



Part No	Chip			Vf(V)@20mA		Iv(mcd)@10mA		CC or CA
	Material	Emitted color	λP(nm)	Min	Max	Min	Typ	
LSD4312-XX	GaP	Green	565	1.7	2.8	1.5	2.8	CC
LSD4322-XX								CA
LSD4315-XX	GaAlAs	Red	660	1.5	2.4	3.0	5.5	CC
LSD4325-XX								CA
LSD4314-XX	GaAsP/GaP	Orange Red	635	1.7	2.8	1.8	3.0	CC
LSD4324-XX								CA

SINGLE DIGIT DISPLAY

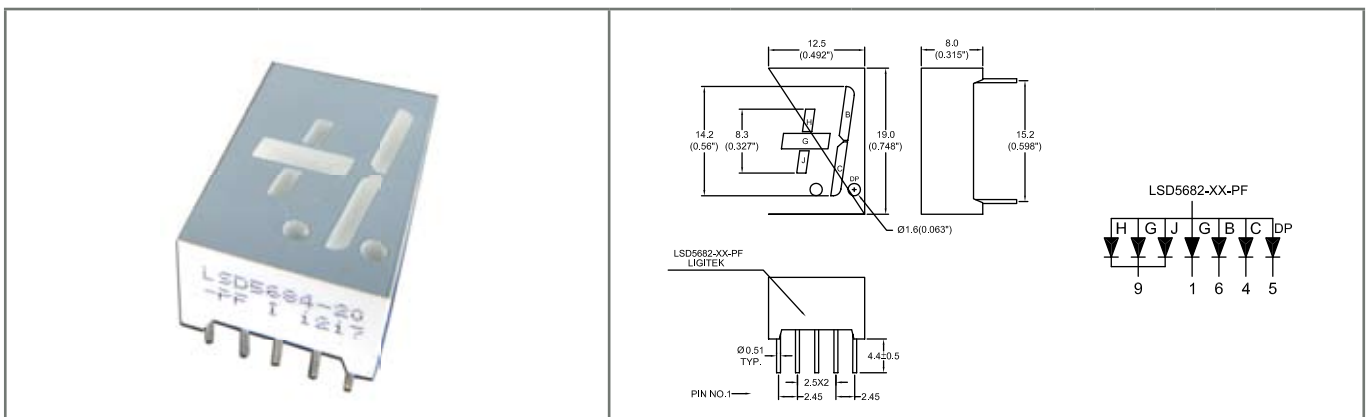
0.52"



Part No	Chip			Vf(V)@20mA		Iv(mcd)@10mA		CC or CA
	Material	Emitted color	λP (nm) * λD (nm)	Min	Max	Min	Typ	
LSD5352-XX	GaP	Green	565	1.7	2.8	2.35	4.0	CC
LSD5362-XX								CA
LSD5355-XX	GaAlAs	Red	660	1.5	2.4	6.1	10.5	CC
LSD5365-XX								CA
LSD5354-XX	GaAsP/GaP	Orange Red	635	1.7	2.6	3.05	5.0	CC
LSD5364-XX								CA
LSD535DBK-XX	InGaN	Blue	* 470	2.8	3.8	18	31	CC
LSD536DBK-XX								CA
LSD535WK-XX-PF	InGaN	Blue	X:0.28 Y:0.28	3.5	4.0	31	43	CC
LSD536WK-XX-PF								CA

SINGLE DIGIT DISPLAY

0.56"

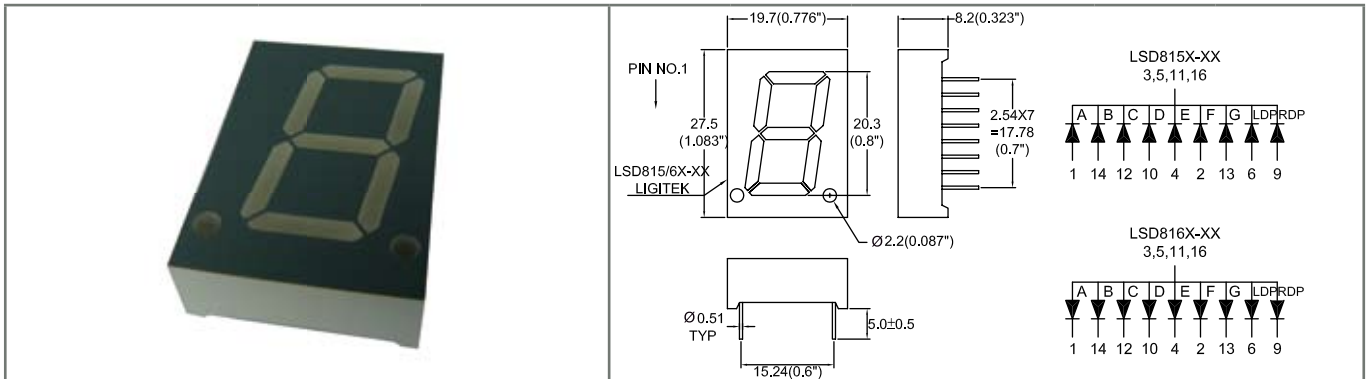


Part No	Chip			Vf(V)@20mA		Iv(mcd)@10mA		CC or CA
	Material	Emitted color	λP (nm)	Min	Max	Min	Typ	
LSD5682-XX	GaP	Green	565	1.7	2.6	1.0	1.75	CA
LSD5682V-XX	GaP	Green	565	1.7	2.8	1.6	2.8	
LSD5685-XX	GaAlAs	Red	660	1.5	2.4	2.0	3.5	
LSD5684-XX	GaAsP/GaP	Orange Red	635	1.7	2.8	0.8	1.35	

DIGIT DISPLAY

SINGLE DIGIT DISPLAY

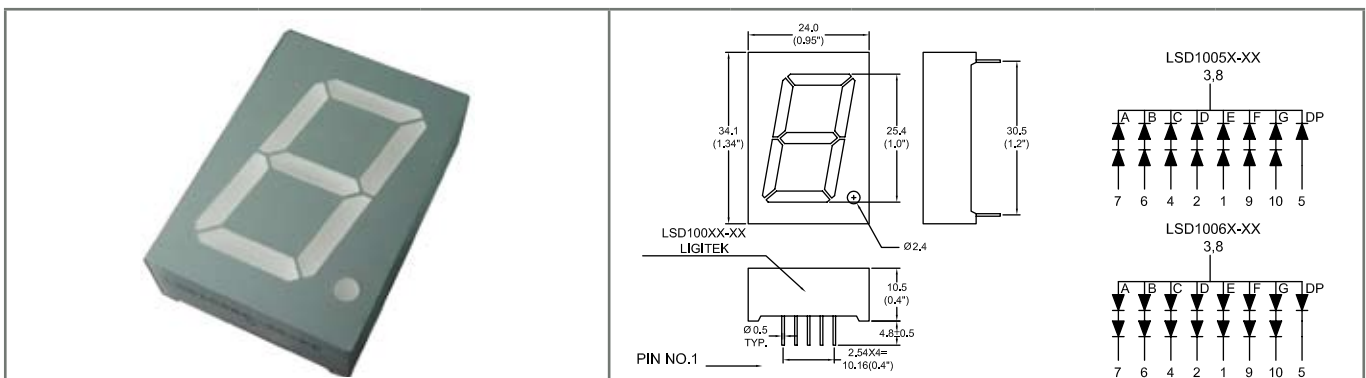
0.8"



Part No	Chip			Vf(V)@20mA		Iv(mcd)@10mA		CC or CA
	Material	Emitted color	λP (nm) * λD (nm)	Min	Max	Min	Typ	
LSD8152-XX	GaP	Green	565	1.7	2.6	2.35	4.0	CC
LSD8162-XX								CA
LSD8155-XX	GaAlAs	Red	660	1.5	2.4	6.1	10.5	CC
LSD8165-XX								CA
LSD8154-XX	GaAsP/GaP	Orange Red	635	1.7	2.8	1.75	3.05	CC
LSD8164-XX								CA
LSD8152U-XX-PF	AlGalnp	Green	* 574	1.7	2.6	10.5	15.25	CC
LSD8162U-XX-PF								CA
LSD815DBK-XX	InGaN	Blue	* 470	2.8	3.8	18	26	CC
LSD816DBK-XX								CA

SINGLE DIGIT DISPLAY

1.0"

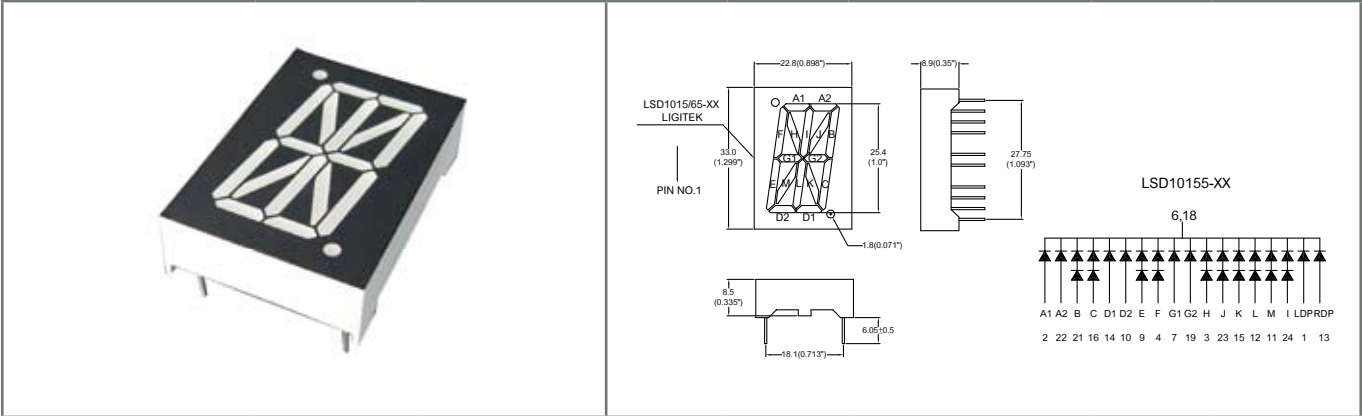


Part No	Chip			Vf(V)@20mA		Iv(mcd)@10mA		CC or CA
	Material	Emitted color	λP (nm) * λD (nm)	Min	Max	Min	Typ	
LSD10052-XX	GaP	Green	565	3.4	5.6	5	8	CC
LSD10062-XX								CA
LSD 10055-XX	GaAlAs	Red	660	3.0	4.8	10.5	18	CC
LSD10065-XX								CA
LSD10056-XX	GaAlAs	Red	660	3.0	4.8	15.25	26	CC
LSD10066-XX								CA
LSD10054-XX	GaAsP/GaP	Orange Red	635	3.4	5.6	6.0	10.0	CC
LSD10064-XX								CA
LSD10052U-XX-PF	AlGalnp	Green	* 574	3.4	5.2	8.5	15.25	CC
LSD10062U-XX-PF								CA

DIGIT DISPLAY

SINGLE DIGIT DISPLAY

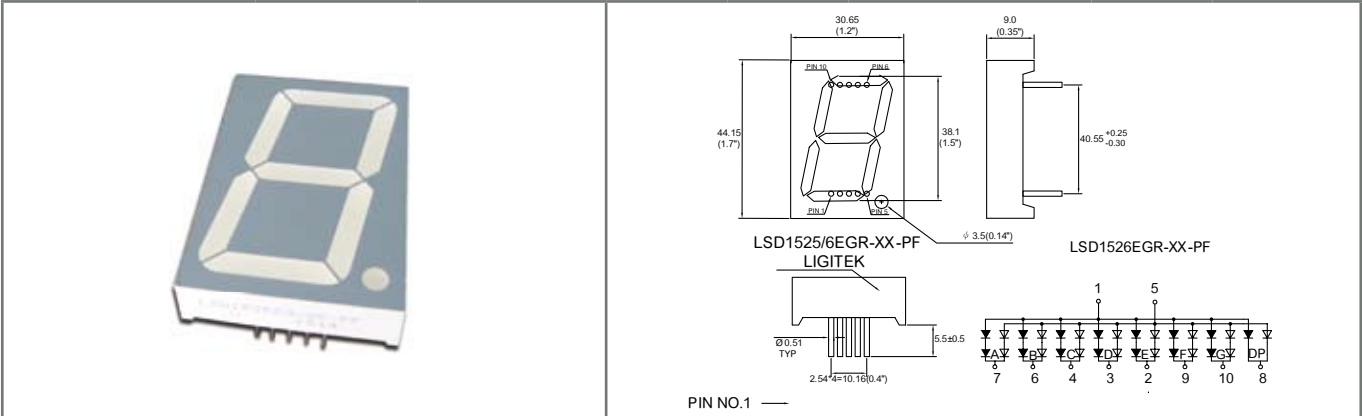
1.0"



Part No	Chip			Vf(V)@20mA		Iv(mcd)@10mA		CC or CA
	Material	Emitted color	λP (nm) * λD (nm)	Min	Max	Min	Typ	
LSD10152-XX	GaP	Green	565	1.7	2.6	1.75	3.05	CC
LSD10162-XX								CA
LSD10155-XX	GaAlAs	Red	660	1.5	2.4	2.35	4.0	CC
LSD10165-XX								CA
LSD10154-XX	GaAsP/GaP	Orange Red	635	1.7	2.6	1.75	3.05	CC
LSD10164-XX								CA
LSD10156F-XX	AlGalnp	Red	* 630	1.5	2.4	12.8	21.5	CC
LSD10166F-XX								CA

SINGLE DIGIT DISPLAY

1.5"

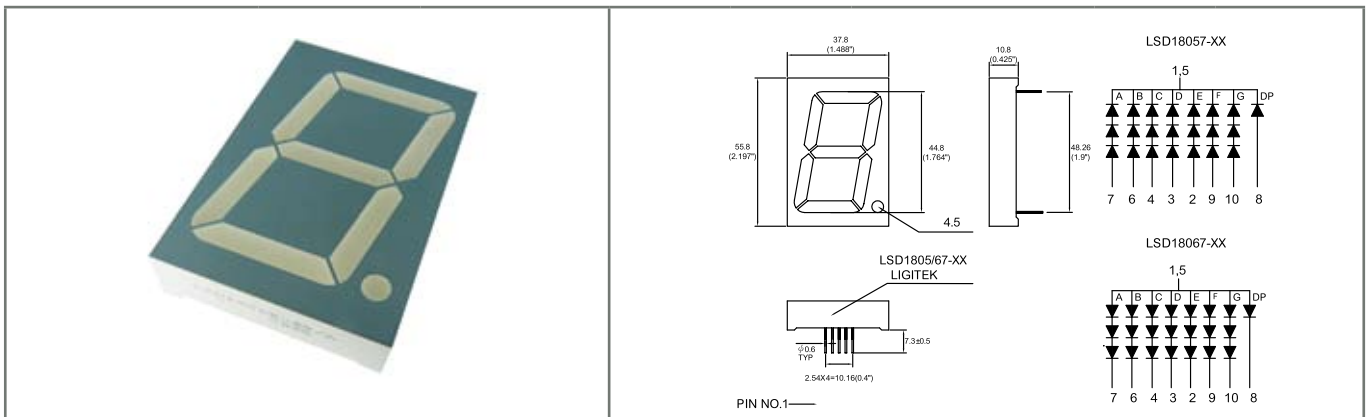


Part No	Chip			Vf(V)@20mA		Iv(mcd)@10mA		CC or CA
	Material	Emitted color	λP (nm)	Min	Max	Min	Typ	
LSD1525EGR-XX	GaAsP/GaP	Orange	635	3.4	5.2	10.5	18	CC
	GaP	Green	565	3.4	5.2	8.5	15.25	
LSD1526EGR-XX	GaAsP/GaP	Orange	635	3.4	5.2	10.5	18	CA
	GaP	Green	565	3.4	5.2	8.5	15.25	

DIGIT DISPLAY

SINGLE DIGIT DISPLAY

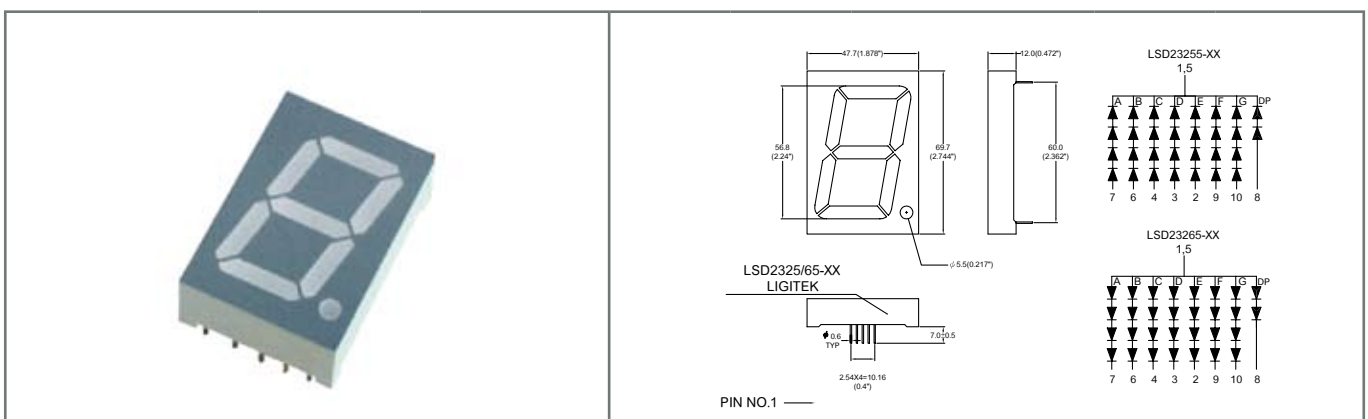
1.8"



Part No	Chip			Vf(V)@20mA		Iv(mcd)@10mA		CC or CA
	Material	Emitted color	λP(nm)	Min	Max	Min	Typ	
LSD18052-XX	GaP	Green	565	5.1	7.8	7.2	12.8	CC
LSD18062-XX								CA
LSD18055-XX	GaAlAs	Red	660	4.5	7.2	12.8	21.8	CC
LSD18065-XX								CA
LSD18056-XX	GaAlAs	Red	660	4.5	7.2	21.5	37	CC
LSD18066-XX								CA
LSD18057-XX	GaAlAs	Red	660	4.5	7.2	43	78.5	CC
LSD18067-XX								CA
LSD18054-XX	GaAsP/GaP	Orange Red	635	5.1	7.8	8.5	15.25	CC
LSD18064-XX								CA

SINGLE DIGIT DISPLAY

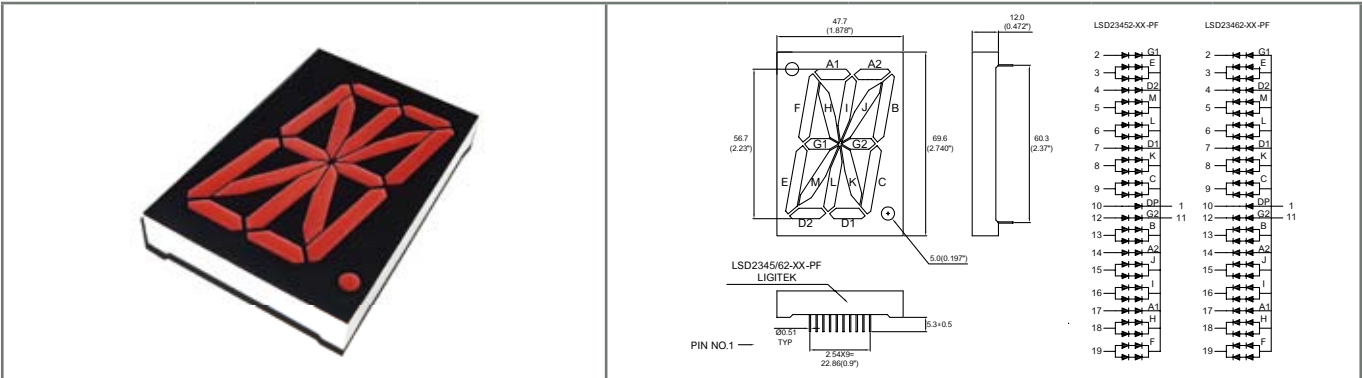
2.3"



Part No	Chip			Vf(V)@20mA		Iv(mcd)@10mA		CC or CA
	Material	Emitted color	λP(nm)	Min	Max	Min	Typ	
LSD23252-XX	GaP	Green	565	6.8	10.4	10.5	18	CC
LSD23262-XX								CA
LSD23255-XX	GaAlAs	Red	660	6.0	9.6	18	31	CC
LSD23265-XX								CA
LSD23256-XX	GaAlAs	Red	660	6.0	9.6	26	50	CC
LSD23266-XX								CA
LSD23254-XX	GaAsP/GaP	Orange Red	635	6.8	10.4	10.5	18	CC
LSD23264-XX								CA

SINGLE DIGIT DISPLAY

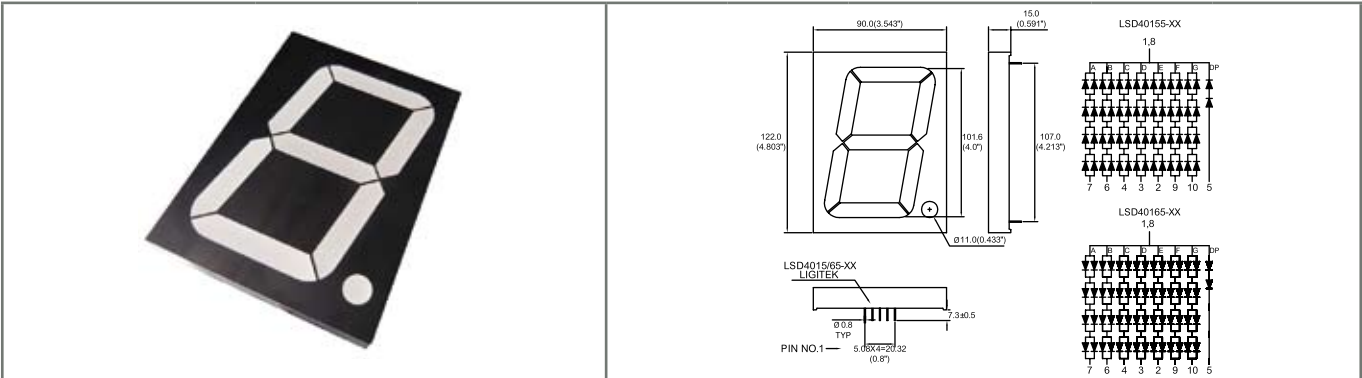
2.3"



Part No	Chip			Vf(V)@20mA		Iv(mcd)@10mA		CC or CA
	Material	Emitted color	λP(nm)	Min	Max	Min	Typ	
LSD23452-XX	GaP	Green	565	3.4	5.2	12.8	18	CC
LSD23462-XX								CA
LSD23455-XX	GaAlAs	Red	660	3.0	4.8	8.5	15.25	CC
LSD23465-XX								CA
LSD23454-XX	GaAsP/GaP	Orange Red	635	3.4	5.2	7.2	12.8	CC
LSD23464-XX								CA
LSD23453-XX	GaAsP/GaP	Yellow	585	3.4	5.2	6.1	10.5	CC
LSD23463-XX								CA

SINGLE DIGIT DISPLAY

4.0"

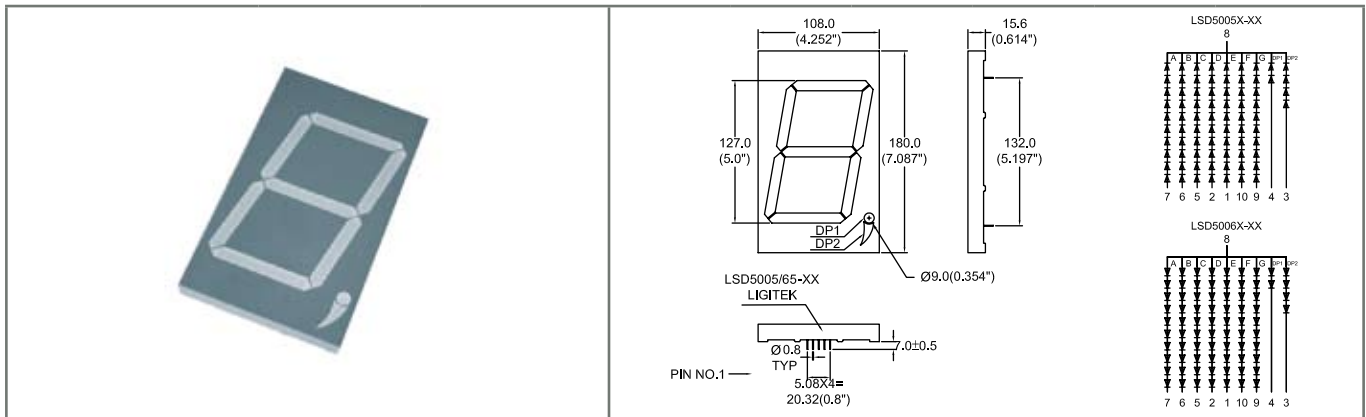


Part No	Chip			Vf(V)@20mA		Iv(mcd)@10mA		CC or CA
	Material	Emitted color	λP(nm) * λD(nm)	Min	Max	Min	Typ	
LSD40152-XX	GaP	Green	565	6.8	10.4	12.8	21.5	CC
LSD40162-XX								CA
LSD40155-XX	GaAlAs	Red	660	6.0	9.6	10.5	15.25	CC
LSD40165-XX								CA
LSD40156-XX	GaAlAs	Red	660	6.0	9.6	26	43	CC
LSD40166-XX								CA
LSD40154-XX	GaAsP/GaP	Orange	635	6.8	10.4	12.8	21.5	CC
LSD40164-XX								CA
LSD40156F-XX	AlGalnP	Red	* 630	6.0	9.6	37	50	CC
LSD40166F-XX								CA
LSD40153HS-XX	AlGalnP	Yellow	* 587	6.8	10.4	21.5	37	CC
LSD40166HS-XX								CA
LSD4015WK-XX	InGaN	White	X0.28 Y0.28	-	8.0	43	50	CC
LSD4016WK-XX								CA

DIGIT DISPLAY

SINGLE DIGIT DISPLAY

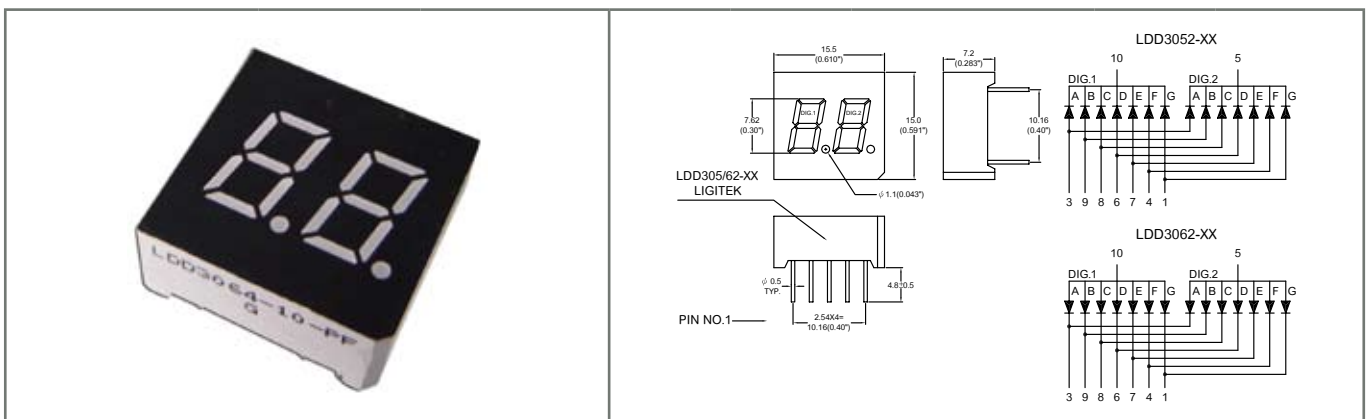
5.0"



Part No	Chip			Vf(V)@20mA		Iv(mcd)@10mA		CC or CA
	Material	Emitted color	λP(nm)	Min	Max	Min	Typ	
LSD50052-XX	GaP	Green	565	17	28	7.2	12.8	CC
LSD50062-XX								CA
LSD50055-XX	GaAlAs	Red	660	15	24	26	45	CC
LSD50065-XX								CA
LSD50054-XX	GaAsP/GaP	Orange Red	635	17	28	18	35	CC
LSD50064-XX								CA

DOUBLE DIGIT DISPLAY

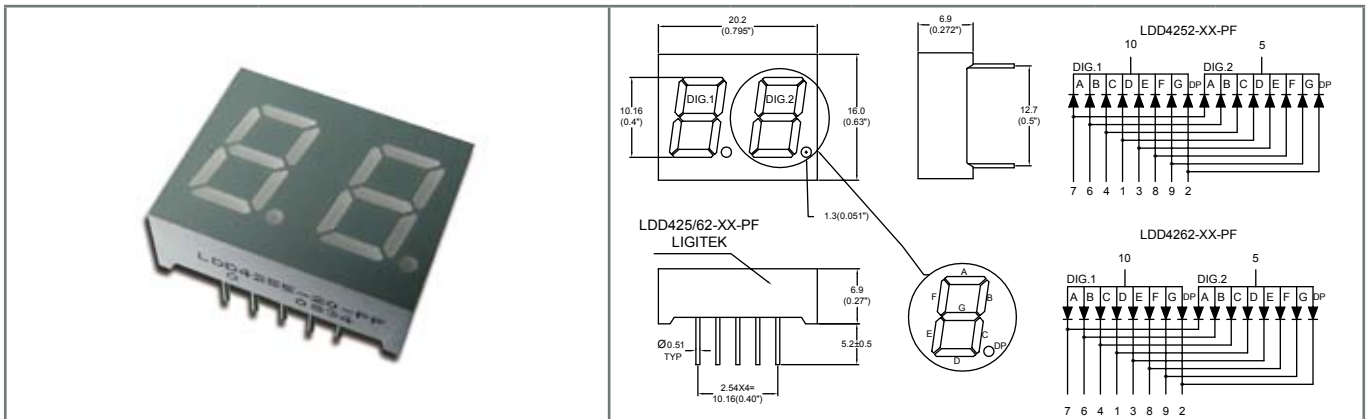
0.3"



Part No	Chip			Vf(V)@20mA		Iv(mcd)@10mA		CC or CA
	Material	Emitted color	λP(nm)	Min	Max	Min	Typ	
LDD3052-XX	GaP	Green	565	1.7	2.6	1.0	1.75	CC
LDD3062-XX								CA
LDD3055-XX	GaAlAs	Red	660	1.5	2.4	1.35	2.35	CC
LDD3065-XX								CA
LDD3054-XX	GaAsP/GaP	Orange Red	635	1.7	2.6	0.8	1.35	CC
LDD3064-XX								CA
LDD3056F-XX	AlGalnp	Red	* 630	1.5	2.4	7.2	12.8	CC
LDD3066F-XX								CA
LDD325DBK-XX	InGaN	Blue	* 470	2.8	3.8	6.1	8.5	CC
LDD326DBK-XX								CA

DOUBLE DIGIT DISPLAY

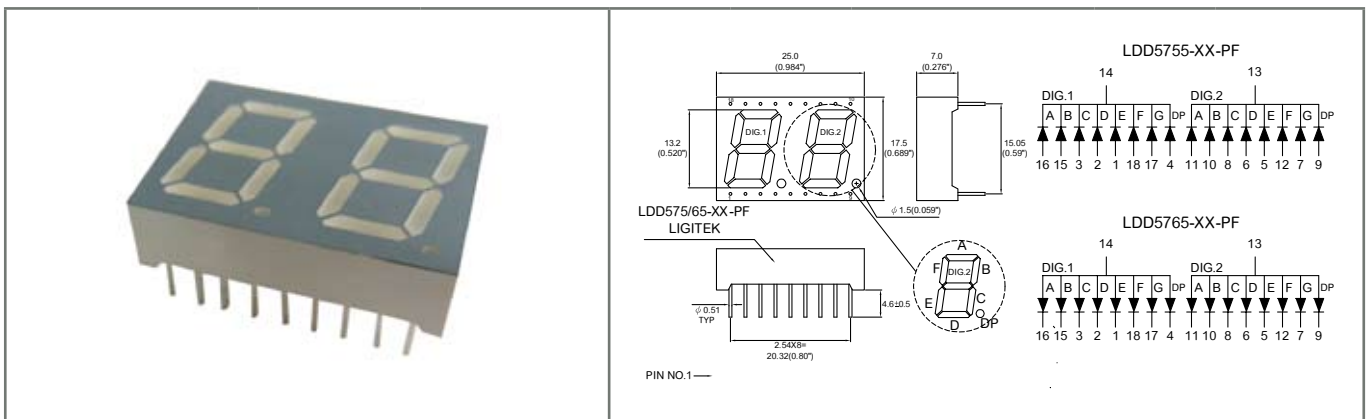
0.4"



Part No	Chip			Vf(V)@20mA		Iv(mcd)@10mA		CC or CA
	Material	Emitted color	λ_P (nm) * λ_D (nm)	Min	Max	Min	Typ	
LDD4252-XX	GaP	Green	565	1.7	2.6	2.35	4.0	CC
LDD4262-XX								CA
LDD4255-XX	GaAlAs	Red	660	1.5	2.4	1.75	3.05	CC
LDD4265-XX								CA
LDD4254-XX	GaAsP/GaP	Orange Red	635	1.7	2.6	0.8	1.35	CC
LDD4264-XX								CA
LDD4256F-PF	AlGalnp	Red	* 630	1.5	2.4	18	34	CC
LDD4266F-PF								CA

DOUBLE DIGIT DISPLAY

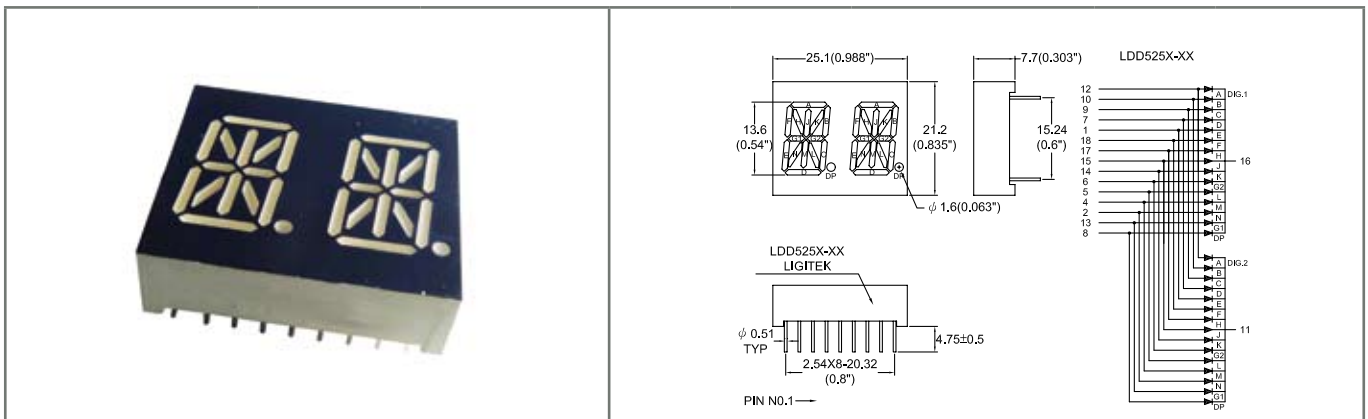
0.52"



Part No	Chip			Vf(V)@20mA		Iv(mcd)@10mA		CC or CA
	Material	Emitted color	λ_P (nm)	Min	Max	Min	Typ	
LDD5752-XX	GaP	Green	565	1.7	2.6	2.35	4.0	CC
LDD5762-XX								CA
LDD5755-XX	GaAlAs	Red	660	1.5	2.4	4.0	6.1	CC
LDD5765-XX								CA
LDD5754-XX	GaAsP/GaP	Orange Red	635	1.7	2.6	1.75	3.05	CC
LDD5764-XX								CA
LDD5753-XX	GaAsP/GaP	Yellow	585	1.7	2.6	1.75	3.05	CC
LDD5763-XX								CA

DOUBLE DIGIT DISPLAY

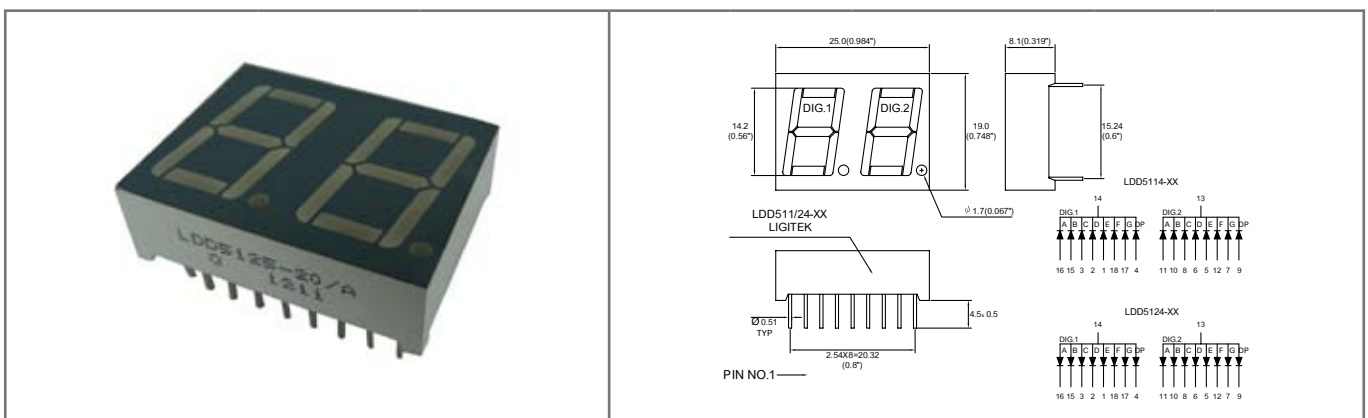
0.56"



Part No	Chip			Vf(V)@20mA		Iv(mcd)@10mA		CC or CA
	Material	Emitted color	λP (nm) * λD (nm)	Min	Max	Min	Typ	
LDD5252-XX	GaP	Green	565	1.7	2.6	1.35	2.8	CC
LDD5262-XX								CA
LDD5255-XX	GaAlAs	Red	660	1.5	2.4	3.05	5.0	CC
LDD5265-XX								CA
LDD5254-XX	GaAsP/GaP	Orange Red	635	1.7	2.6	1.75	3.05	CC
LDD5264-XX								CA
LDD5255F-XX	AlGalnp	Red	* 630	1.5	2.4	7.2	10.5	CC
LDD5265F-XX								CA

DOUBLE DIGIT DISPLAY

0.56"

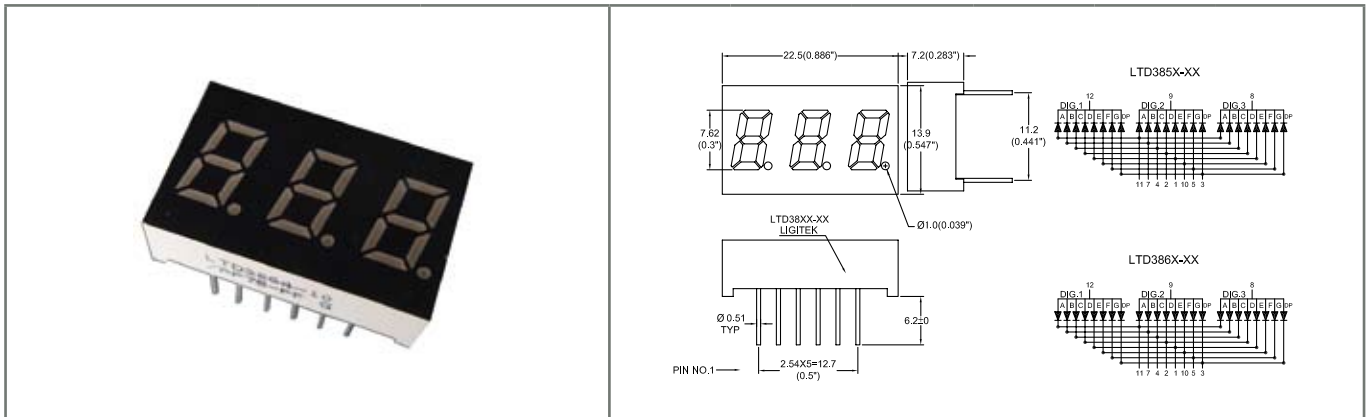


Part No	Chip			Vf(V)@20mA		Iv(mcd)@10mA		CC or CA
	Material	Emitted color	λP (nm) * λD (nm)	Min	Max	Min	Typ	
LDD5112-XX	GaP	Green	565	1.7	2.6	4.0	6.1	CC
LDD5122-XX								CA
LDD5115-XX	GaAlAs	Red	660	1.5	2.4	1.75	3.05	CC
LDD5125-XX								CA
LDD5114-XX	GaAsP/GaP	Orange Red	635	1.7	2.6	1.75	3.05	CC
LDD5124-XX								CA
LDD511DBK-XX	InGaN	Blue	* 470	2.8	3.8	18	31	CC
LDD5112DBK-XX								CA

DIGIT DISPLAY

TRIPLE DIGIT DISPLAY

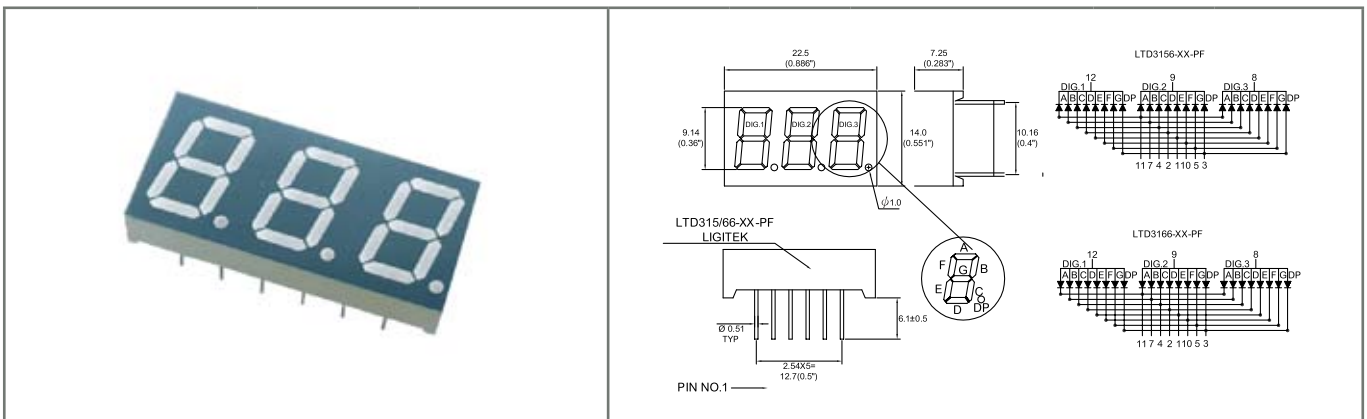
0.3"



Part No	Chip			Vf(V)@20mA		Iv(mcd)@10mA		CC or CA
	Material	Emitted color	λP (nm)	Min	Max	Min	Typ	
LTD3855-XX	GaAlAs	Red	660	1.5	2.4	1.35	2.35	CC
LTD3865-XX								CA
LTD3854-XX	GaAsP/GaP	Orange Red	635	1.7	2.8	0.3	0.6	CC
LTD3864-XX								CA

TRIPLE DIGIT DISPLAY

0.36"

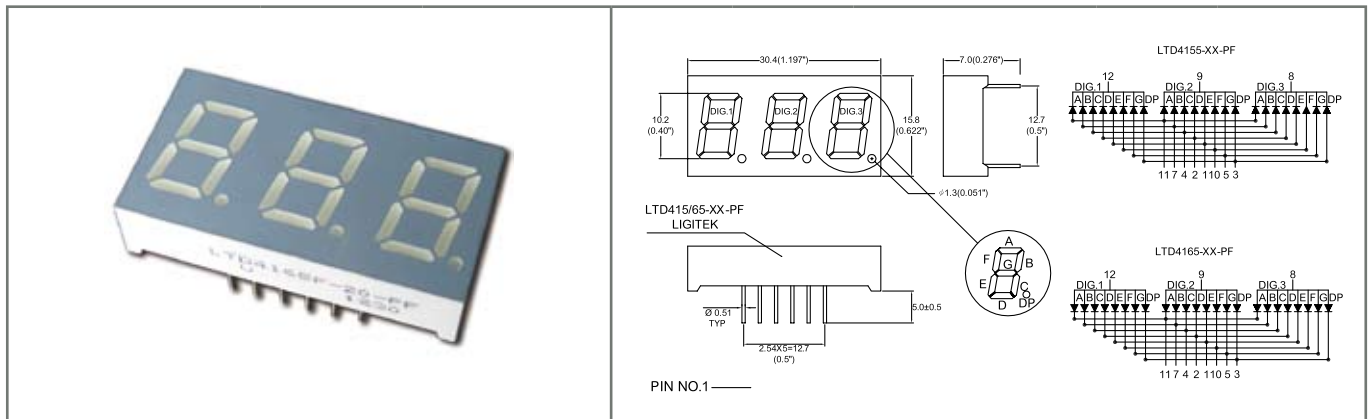


Part No	Chip			Vf(V)@20mA		Iv(mcd)@10mA		CC or CA
	Material	Emitted color	λP (nm) * λD (nm)	Min	Max	Min	Typ	
LTD3152-XX	GaP	Green	565	1.7	2.6	1.0	2.0	CC
LTD3162-XX								CA
LTD3155-XX	GaAlAs	Red	660	1.5	2.4	1.75	3.05	CC
LTD3165-XX								CA
LTD3154-XX	GaAsP/GaP	Orange Red	635	1.7	2.6	1.0	2.0	CC
LTD3164-XX								CA
LTD3156F-XX-PF	AlGalnP	Red	* 630	1.5	2.4	7.2	10.5	CC
LTD3166F-XX-PF								CA

DIGIT DISPLAY

TRIPLE DIGIT DISPLAY

0.4"

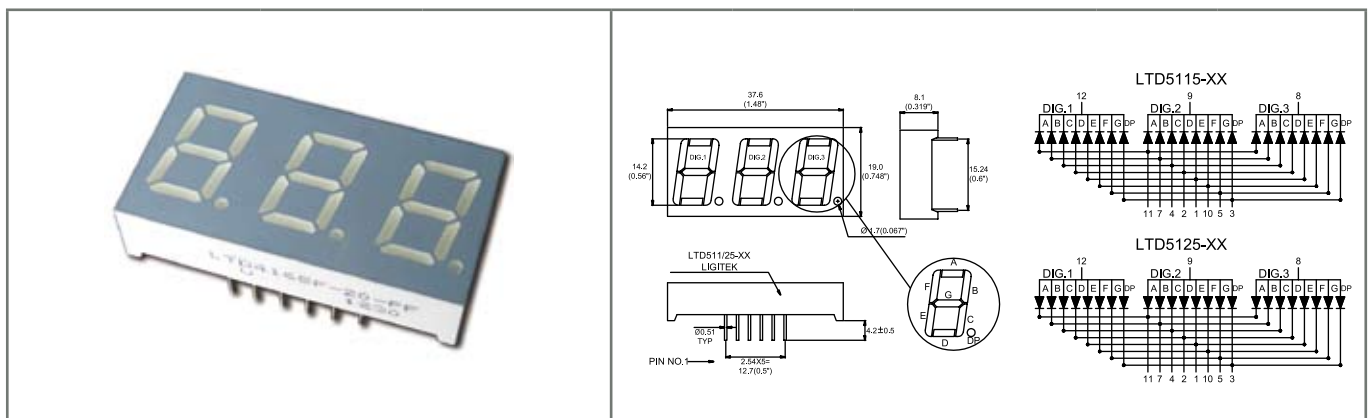


Part No	Chip			Vf(V)@20mA		Iv(mcd)@10mA		CC or CA
	Material	Emitted color	λP (nm) * λD (nm)	Min	Max	Min	Typ	
LTD4152-XX	GaP	Green	565	1.7	2.6	1.75	3.05	CC
LTD4162-XX								CA
LTD4155-XX	GaAlAs	Red	660	1.5	2.4	5.0	8.5	CC
LTD4165-XX								CA
LTD4156F-XX-PF	AlGalnp	Red	* 630	1.5	2.4	21.5	31.0	CC
LTD4166F-XX-PF								CA
LTD4154-XX	GaAsP/GaP	Orange Red	* 635	1.7	2.6	1	1.75	CC
LTD4164-XX								CA

TRIPLE DIGIT DISPLAY

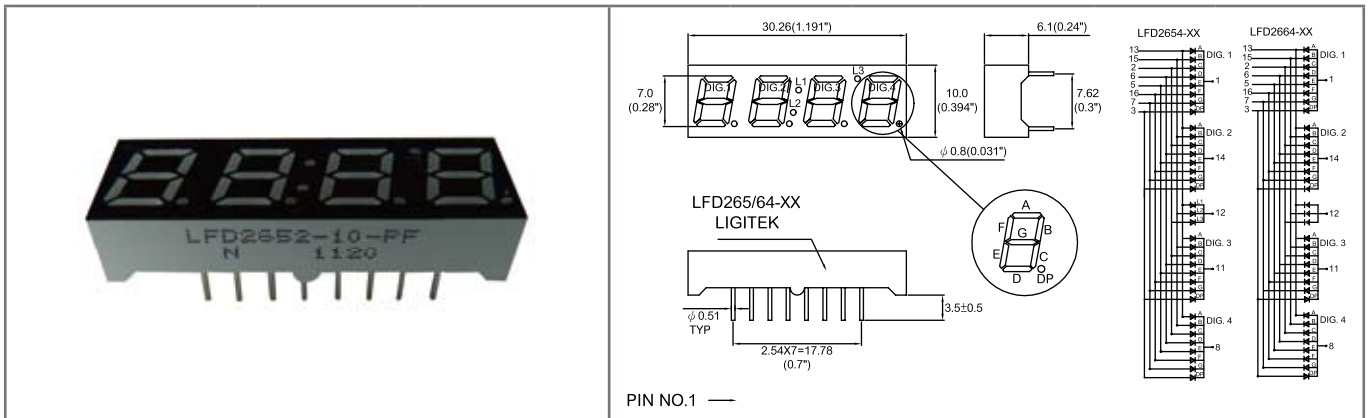
0.56"

DIGIT DISPLAY



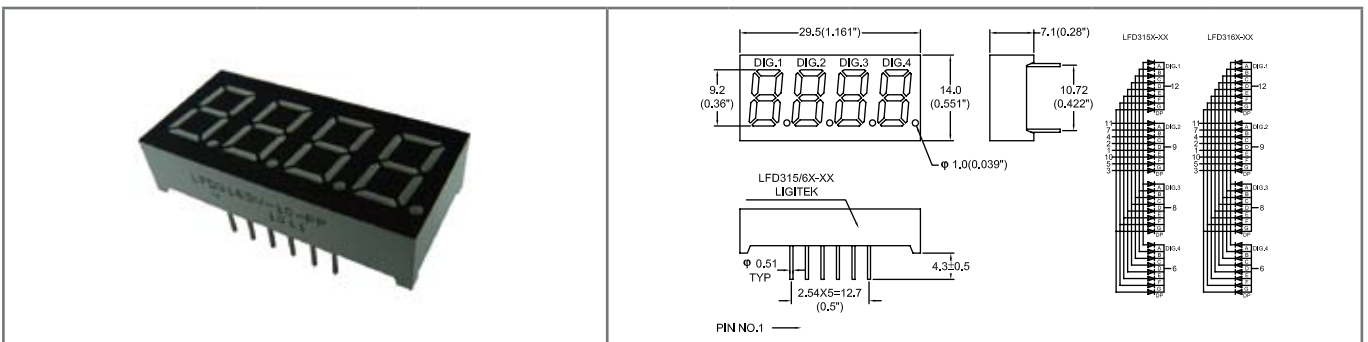
Part No	Chip			Vf(V)@20mA		Iv(mcd)@10mA		CC or CA
	Material	Emitted color	λP (nm) * λD (nm)	Min	Max	Min	Typ	
LTD5112-XX	GaP	Green	565	1.7	2.6	2.35	4.0	CC
LTD5122-XX								CA
LTD5115-XX	GaAlAs	Red	660	1.5	2.4	4.0	7.2	CC
LTD5125-XX								CA
LTD5116F-XX-PF	AlGalnp	Red	* 630	1.5	2.4	15.25	26	CC
LTD5126F-XX-PF								CA
LTD5114-XX	GaAsP/GaP	Orange Red	* 635	1.7	2.6	2.35	4.0	CC
LTD5124-XX								CA

QUADRUPLE DIGIT DISPLAY 0.28"



Part No	Chip			Vf(V)@20mA		Iv(mcd)@10mA		CC or CA
	Material	Emitted color	$\lambda P(nm)$ * $\lambda D(nm)$	Min	Max	Min	Typ	
LFD2652-XX-PF	GaP	Green	565	1.7	2.6	1.75	3.05	CC
LFD2662-XX-PF								CA
LFD2652U-PF	AlGaInp	Green	* 574	1.7	2.6	5.0	8.5	CC
LFD2662U-PF								CA
LFD2655-XX	GaAlAs	Red	660	1.5	2.4	3.05	5.0	CC
LFD2665-XX								CA
LFD2656F-XX-PF	AlGaInp	Red	* 630	1.5	2.4	12.8	21.5	CC
LFD2666F-XX-PF								CA
LFD2654-XX	GaAsP/GaP	Orange Red	635	1.7	2.6	1.0	1.75	CC
LFD2664-XX								CA
LFD255DBK-XX	In/GaN	Blue	* 470	-	4.0	24	40	CC
LFD265DBK-XX								CA

QUADRUPLE DIGIT DISPLAY 0.36"

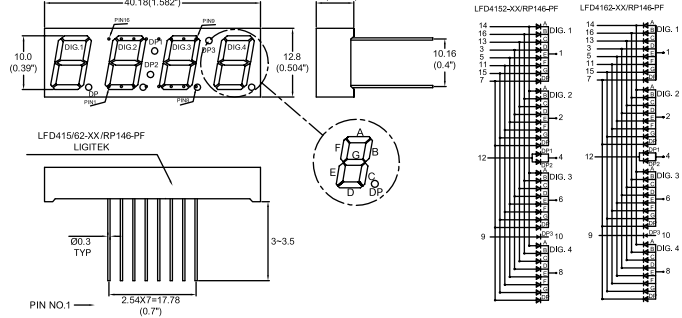
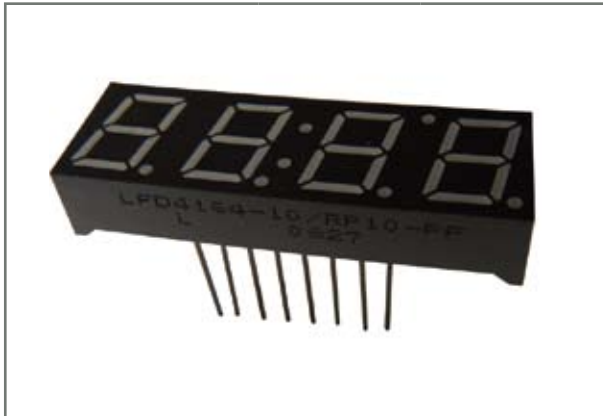


Part No	Chip			Vf(V)@20mA		Iv(mcd)@10mA		CC or CA
	Material	Emitted color	$\lambda P(nm)$ * $\lambda D(nm)$	Min	Max	Min	Typ	
LFD3152-XX	GaP	Green	565	1.7	2.6	1.0	1.75	CC
LFD3162-XX								CA
LFD3152U-XX-PF	AlGaInp	Green	* 574	1.7	2.6	8.5	12.8	CC
LFD3162U-XX-PF								CA
LFD3155-XX	GaAlAs	Red	660	1.5	2.4	2.35	4.0	CC
LFD3165-XX								CA
LFD3156F-XX-PF	AlGaInp	Red	* 630	1.5	2.4	8.5	12.8	CC
LFD3166F-XX-PF								CA
LFD3153V-XX-PF	AlGaInp	Yellow	* 590	1.7	2.6	21.5	37	CC
LFD3163V-XX-PF								CA

DIGIT DISPLAY

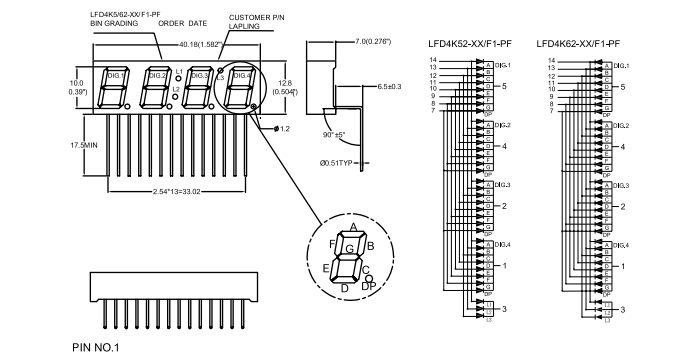
QUADRUPLE DIGIT DISPLAY

0.39"



Part No	Chip			Vf(V)@20mA		Iv(mcd)@10mA		CC or CA
	Material	Emitted color	λP (nm) * λD (nm)	Min	Max	Min	Typ	
LFD4152-XX	GaP	Green	565	1.7	2.6	1.75	3.05	CC
LFD4162-XX								CA
LFD4152U-XX	AlGaInp	Green	* 574	1.7	2.6	12.8	21.5	CC
LFD4162U-XX								CA
LFD4155-XX	GaAlAs	Red	660	1.5	2.4	3.05	5.0	CC
LFD4165-XX								CA
LFD4156F-XX-PF	AlGaInp	Red	*630	1.5	2.4	12.8	21.5	CC
LFD4166F-XX-PF								CA
LFD4153HS-XX-PF	AlGaInp	Yellow	* 587	1.7	2.6	12.8	18	CC
LFD4163HS-XX-PF								CA
LFD4156DBK-XX	InGaN	Blue	* 470	-	4.0	15.25	26	CC
LFD4166DBK-XX								CA
LFD4156WK-XX	InGaN	White	X0.28 Y0.28	-	4.0	58	91	CC
LFD4166WK-XX								CA

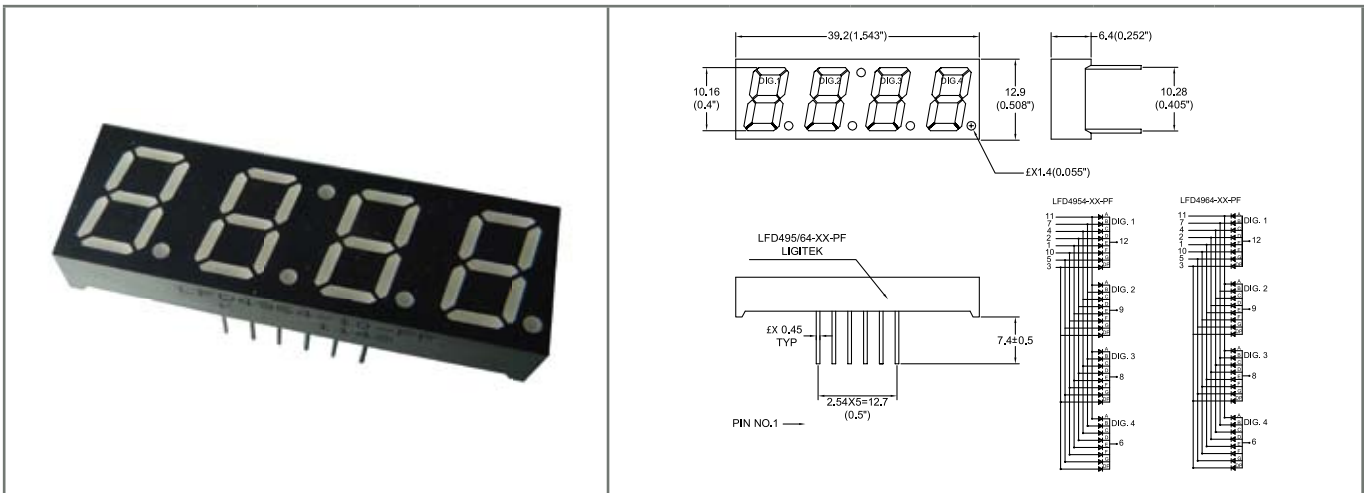
DIGIT DISPLAY



Part No	Chip			Vf(V)@20mA		Iv(mcd)@10mA		CC or CA
	Material	Emitted color	λP (nm) * λD (nm)	Min	Max	Min	Typ	
LFD4K52-XX/F1-PF	GaP	Green	565	1.7	2.6	1.35	2.35	CC
LFD4K62-XX/F1-PF								CA
LFD4K56-XX/S5-PF	GaAlAs	Red	660	1.5	2.4	5.0	8.5	CC
LFD4K66-XX/S5-PF								CA
LFD4K57-XX/S5-PF	GaAlAs	Red	660	1.5	2.4	6.1	10.5	CC
LFD4K67-XX/S5-PF								CA
LFD4K59-XX/F4-PF	AlGaInp	Orange	*605	1.7	2.6	15.25	26	CC
LFD4K69-XX/F4-PF								CA
LFD4K53HS-XX/F1-PF	AlGaInp	Yellow	* 587	1.7	2.6	12.8	17	CC
LFD4K63HS-XX/F1-PF								CA

QUADRUPLE DIGIT DISPLAY

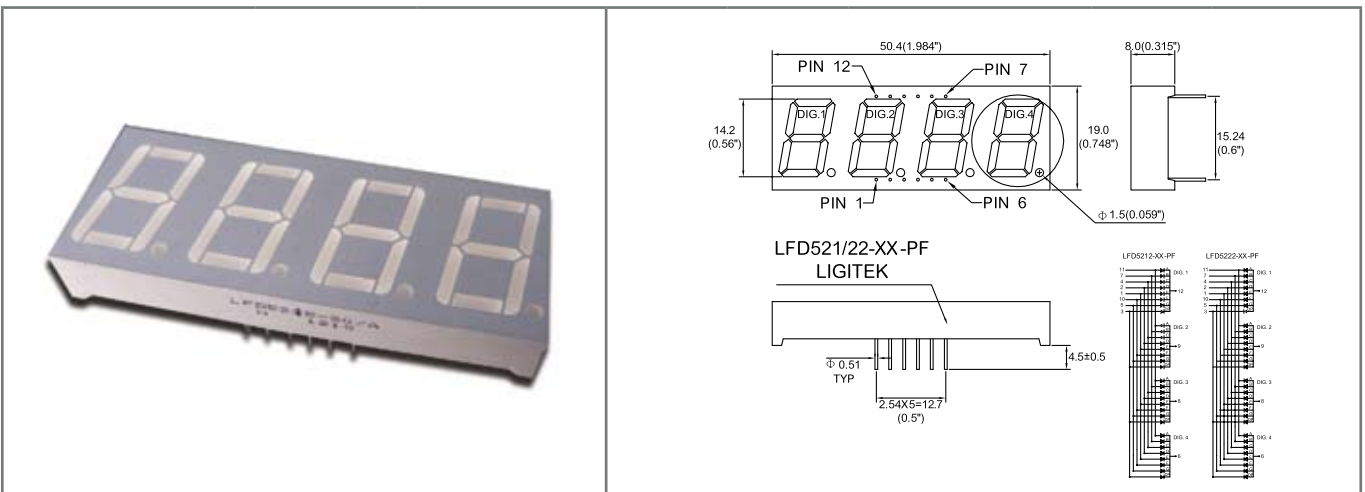
0.4"



Part No	Chip			Vf(V)@20mA		Iv(mcd)@10mA		CC or CA
	Material	Emitted color	λP(nm)	Min	Max	Min	Typ	
LFD4952-XX	GaP	Green	565	1.7	2.6	2.35	4.0	CC
LFD4962-XX								CA
LFD4955-XX	GaAlAs	Red	660	1.5	2.4	2.35	4.0	CC
LFD4965-XX								CA

QUADRUPLE DIGIT DISPLAY

0.56"

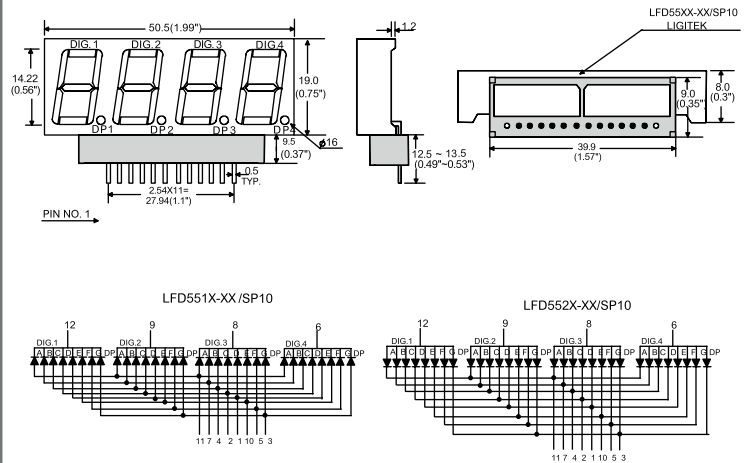


Part No	Chip			Vf(V)@20mA		Iv(mcd)@10mA		CC or CA
	Material	Emitted color	λP(nm) * λD(nm)	Min	Max	Min	Typ	
LFD5212-XX	GaP	Green	565	1.7	2.6	1.75	3.05	CC
LFD5222-XX								CA
LFD5215-XX	GaAlAs	Red	660	1.5	2.4	4.0	6.1	CC
LFD5225-XX								CA
LFD5214-XX	GaAsP/GaP	Orange Red	635	1.7	2.6	1.35	2.35	CC
LFD5224-XX								CA
LFD5216F-XX	AlGalnP	Red	* 630	1.5	2.4	21.5	31	CC
LFD5226F-XX								CA

DIGIT DISPLAY

FOUR DIGIT DISPLAY

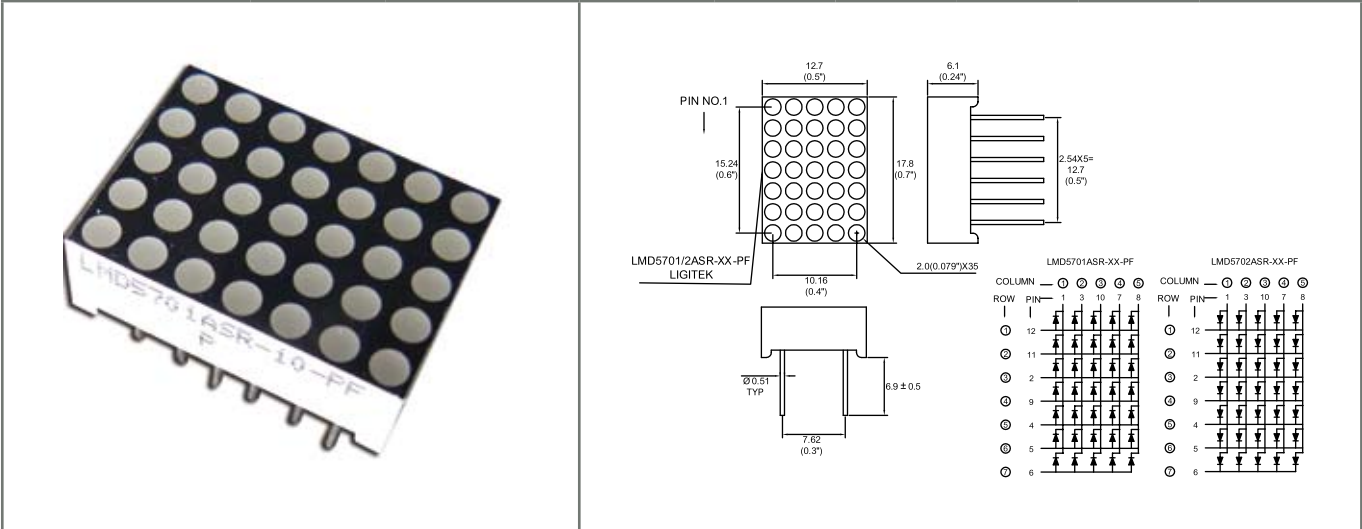
0.56"



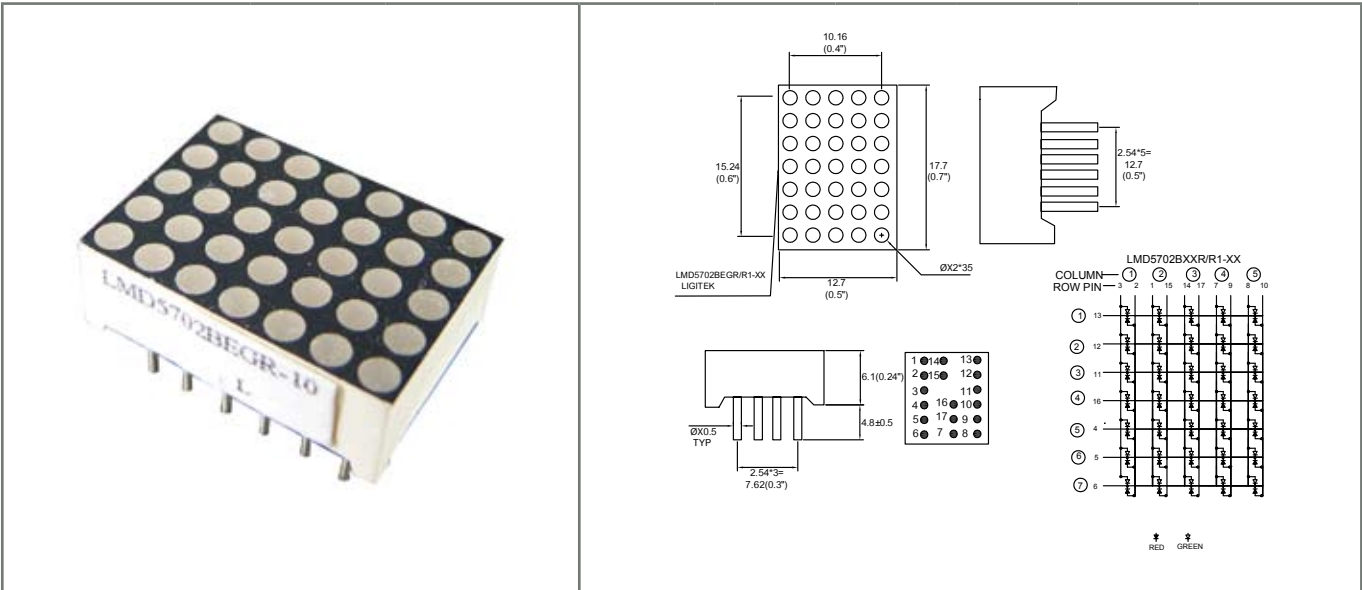
Part No	Chip			Vf(V)@20mA		Iv(mcd)@10mA		CC or CA
	Material	Emitted color	$\lambda P(nm)$ * $\lambda D(nm)$	Min	Max	Min	Typ	
LFD5512-XX/SP10	GaP	Green	565	1.7	2.6	1.75	3.05	CC
LFD5522-XX/SP10								CA
LFD5515-XX/SP10	GaAlAs	Red	660	1.5	2.4	2.2	3.6	CC
LFD5525-XX/SP10								CA
LFD5514-XX/SP10	GaAsP/GaP	Orange Red	635	1.7	2.6	1.7	2.8	CC
LFD5524-XX/SP10								CA
LFD5513-XX/SP10	GaAsP/GaP	Yellow	585	1.7	2.6	1.6	2.6	CC
LFD5523-XX/SP10								CA

DIGIT DISPLAY

DOT MATRIX DISPLAY



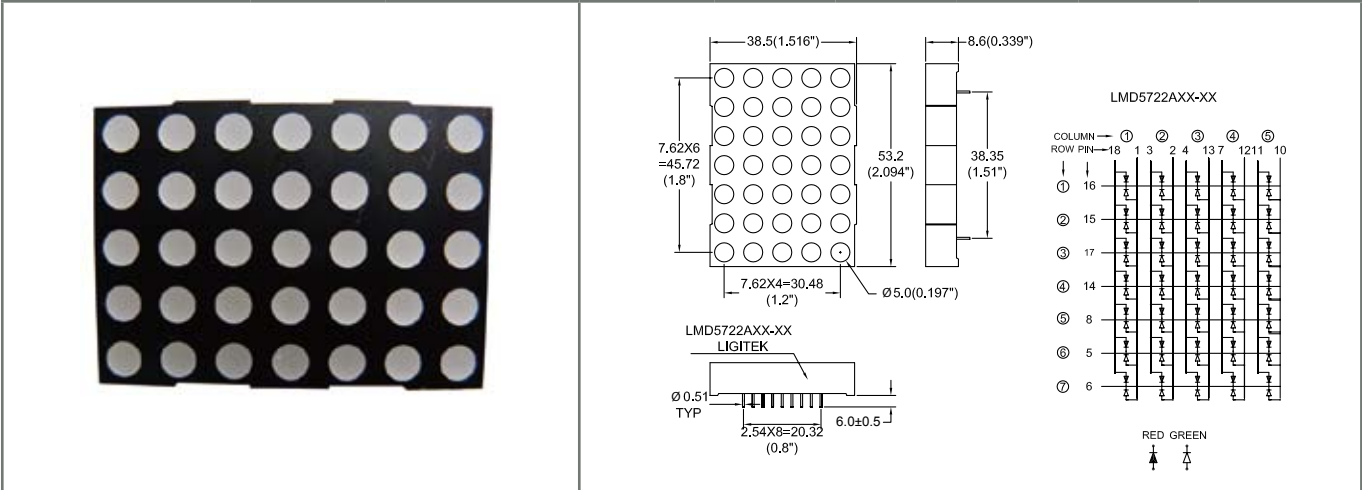
Part No	Chip			Vf(V)@20mA		Iv(mcd)@10mA		CC or CA
	Material	Emitted color	λP(nm)	Min	Max	Min	Typ	
LMD5701AG-XX	GaP	Green	565	1.7	2.6	2.35	4.0	CC
LMD5702AG-XX								CA
LMD5701ASR-XX	GaAlAs	Red	660	1.5	2.4	4.0	7.2	CC
LMD5702ASR-XX								CA
LMD5701AE-XX	GaAsP/GaP	Orange Red	635	1.7	2.6	2.35	4.0	CC
LMD5702AE-XX								CA



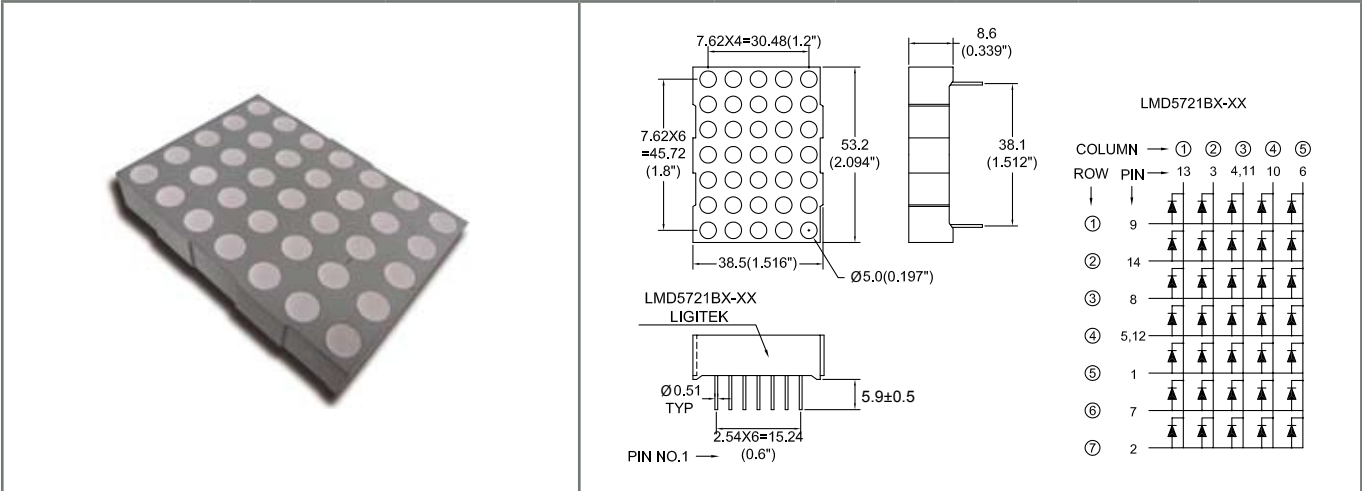
Part No	Chip			Vf(V)@20mA		Iv(mcd)@10mA		CC or CA
	Material	Emitted color	λP(nm)	Min	Max	Min	Typ	
LMD5702BEGR/R1-XX	GaAsP/GaP	Orange Red	635	1.7	2.6	3.05	5.0	CA
	GaP	Green	565	1.7	2.6	5.0	8.5	

DOT MATRIX DISPLAY

DOT MATRIX DISPLAY



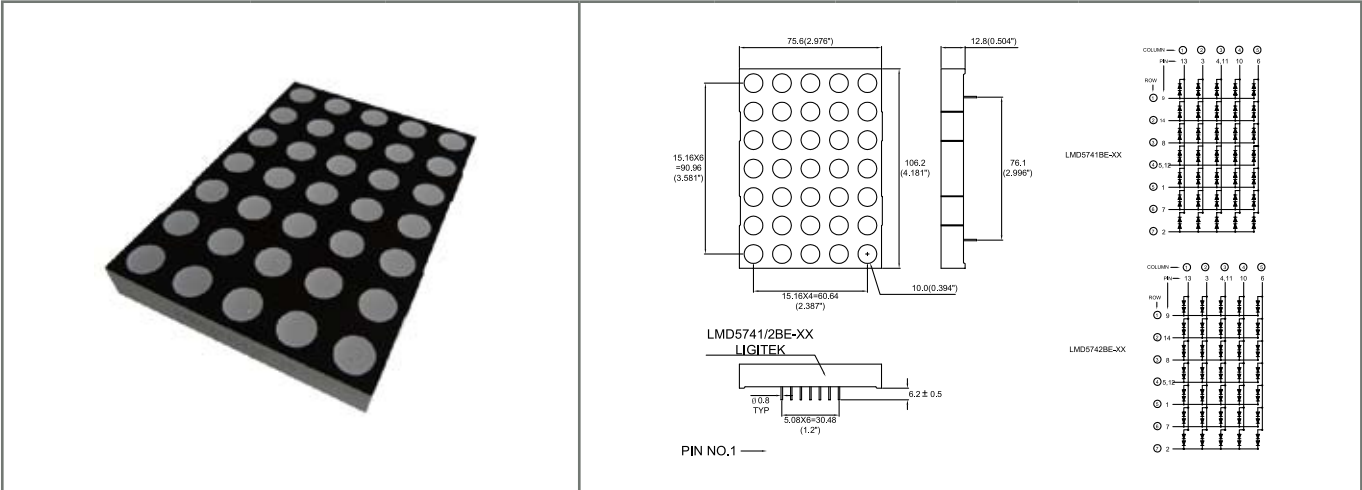
Part No	Chip			Vf(V)@20mA		Iv(mcd)@10mA		CC or CA
	Material	Emitted color	λP(nm)	Min	Max	Min	Typ	
LMD5721AEGR-XX	GaAsP/GaP	Orange Red	635	1.7	2.6	4.0	7.2	CC
	GaP	Green	565	1.7	2.6	5.0	8.5	



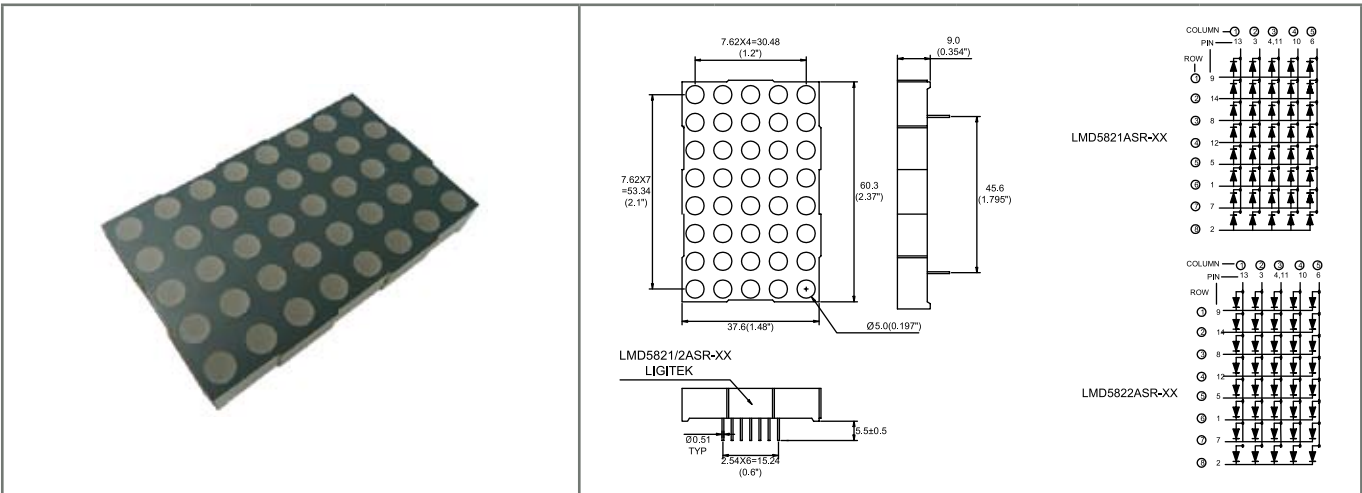
Part No	Chip			Vf(V)@20mA		Iv(mcd)@10mA		CC or CA
	Material	Emitted color	λP(nm)	Min	Max	Min	Typ	
LMD5721BG-XX	GaP	Green	565	1.7	2.6	4.0	7.2	CC
LMD5722BG-XX								CA
LMD5721BSR-XX	GaAlAs	Red	660	1.5	2.4	7.2	12	CC
LMD5722BSR-XX								CA
LMD5721BE-XX	GaAsP/GaP	Orange Red	635	1.7	2.6	4.0	7	CC
LMD5722BE-XX								CA

DOT MATRIX DISPLAY

DOT MATRIX DISPLAY



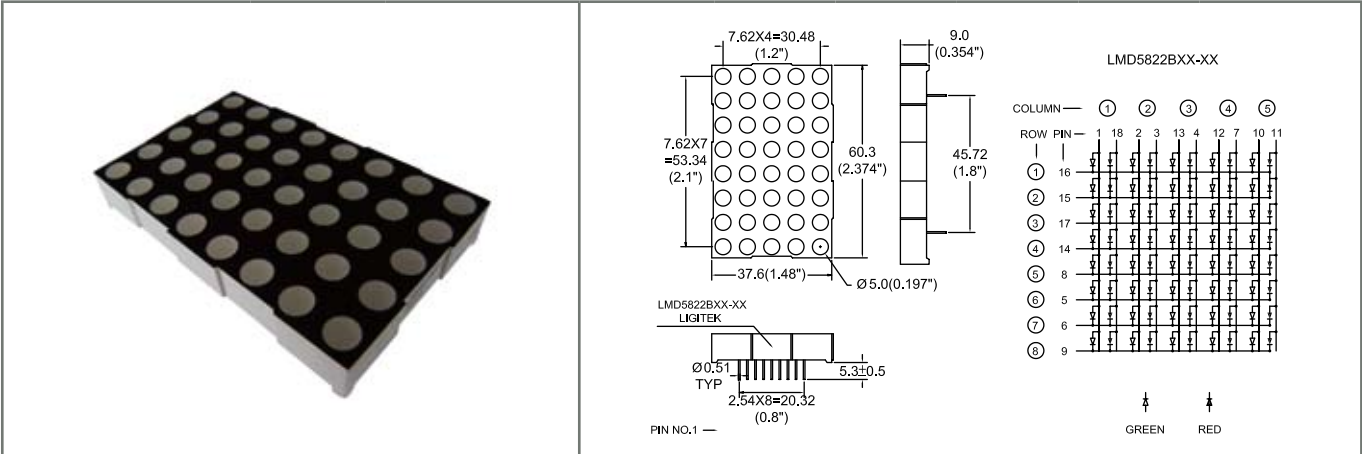
Part No	Chip			Vf(V)@20mA		Iv(mcd)@10mA		CC or CA
	Material	Emitted color	λP(nm)	Min	Max	Min	Typ	
LMD5741BG-XX	GaP	Green	565	3.4	5.2	6.1	10.5	CC
LMD5742BG-XX								CA
LMD5741BVG-XX	GaP	Green	565	3.4	5.2	8.5	15.25	CC
LMD5742BVG-XX								CA
LMD5741BSR-XX	GaAlAs	Red	660	3.0	4.8	15.25	21.5	CC
LMD5742BSR-XX								CA
LMD5741BE-XX	GaAsP/GaP	Orange Red	635	3.4	5.2	7.2	12.8	CC
LMD5742BE-XX								CA



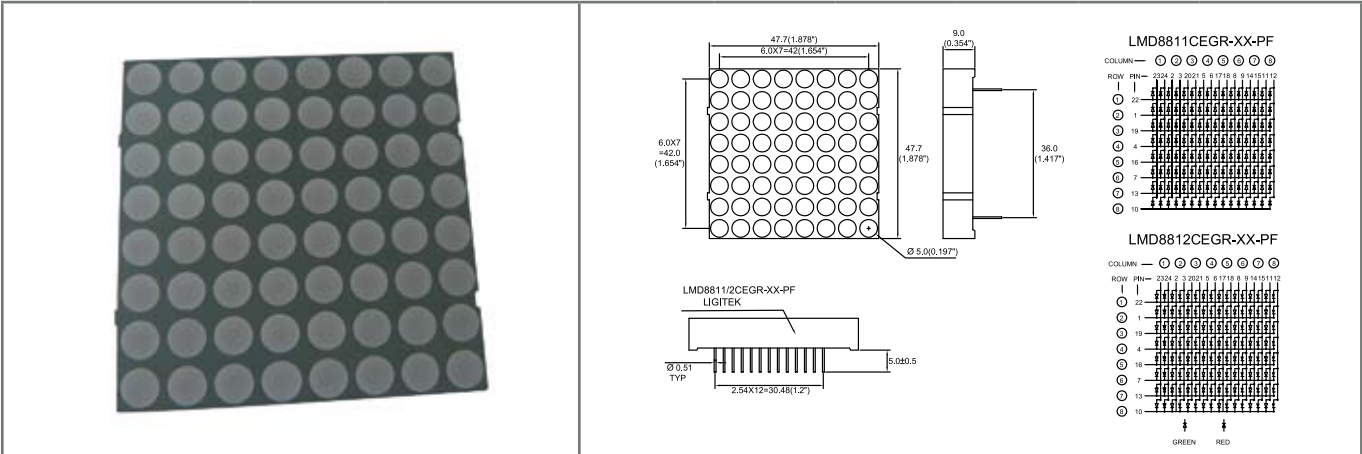
Part No	Chip			Vf(V)@20mA		Iv(mcd)@10mA		CC or CA
	Material	Emitted color	λP(nm)	Min	Max	Min	Typ	
LMD5821AVG-XX	GaP	Green	565	1.7	2.6	5.0	8.5	CC
LMD5822AVG-XX								CA
LMD5821ASR-XX	GaAlAs	Red	660	1.5	2.4	6.1	10.5	CC
LMD5822ASR-XX								CA

DOT MATRIX DISPLAY

DOT MATRIX DISPLAY



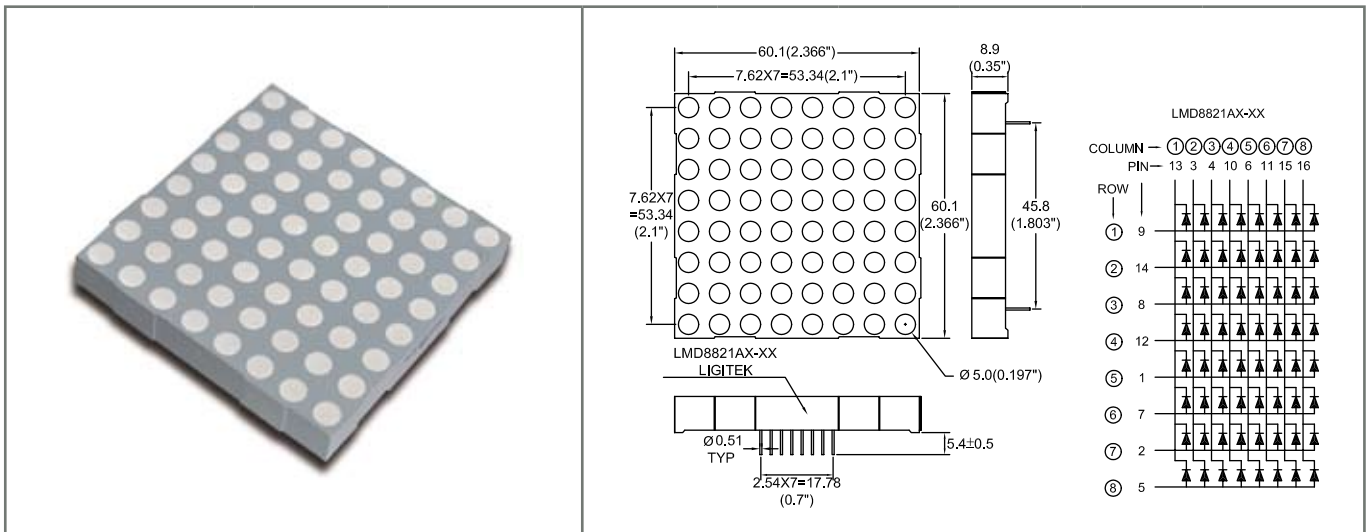
Part No	Chip			Vf(V)@20mA		Iv(mcd)@10mA		CC or CA
	Material	Emitted color	λP(nm)	Min	Max	Min	Typ	
LMD5822BSRVG-XX	GaAlAs	Red	660	1.5	2.4	6.1	10.5	CC
	GaP	Green	565	1.7	2.6	4.0	7.2	
LMD5821BSRVG-XX	GaAlAs	Red	660	1.5	2.4	6.1	10.5	CA
	GaP	Green	565	1.7	2.6	4.0	7.2	



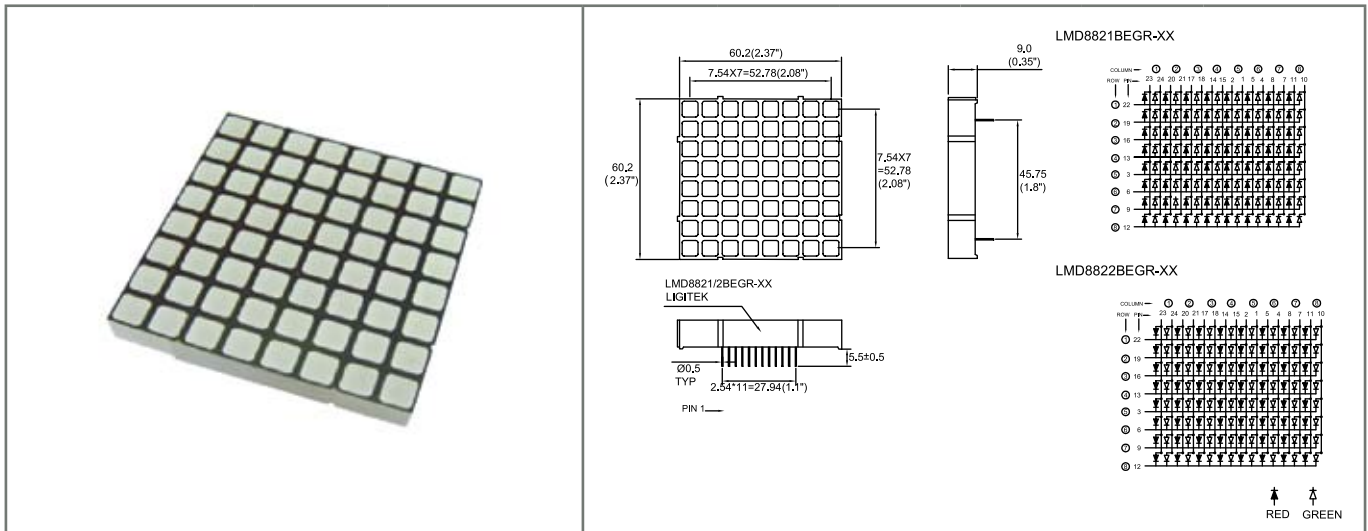
Part No	Chip			Vf(V)@20mA		Iv(mcd)@10mA		CC or CA
	Material	Emitted color	λP(nm)	Min	Max	Min	Typ	
LMD8811CEGR-XX	GaAsP/GaP	Orange Red	635	1.7	2.6	1.75	3.05	CC
	GaP	Green	565	1.7	2.6	2.35	4.0	
LMD8812CEGR-XX	GaAsP/GaP	Orange Red	635	1.7	2.6	1.75	3.05	CA
	GaP	Green	565	1.7	2.6	2.35	4.0	
LMD8811CSRVG-XX	GaAlAs	Red	660	1.5	2.4	8.5	15.25	CC
	GaP	Green	565	1.7	2.6	7.2	12.8	
LMD8812CSRVG-XX	GaAlAs	Red	660	1.5	2.4	8.5	15.25	CA
	GaP	Green	565	1.7	2.6	7.2	12.8	

DOT MATRIX DISPLAY

DOT MATRIX DISPLAY



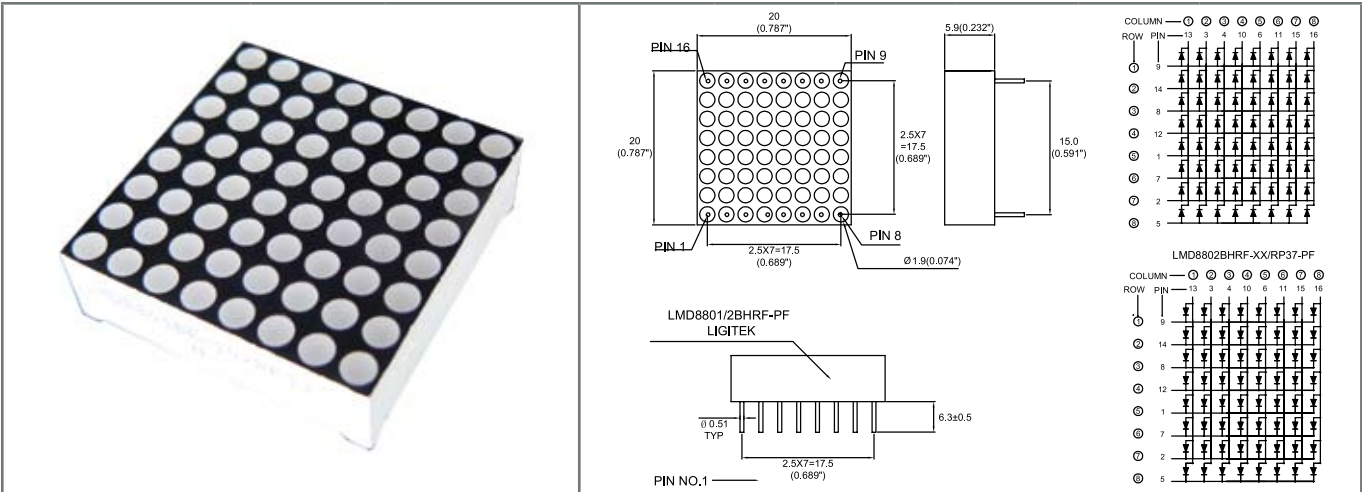
Part No	Chip			Vf(V)@20mA		Iv(mcd)@10mA		CC or CA
	Material	Emitted color	λP(nm)	Min	Max	Min	Typ	
LMD8821AG-XX	GaP	Green	565	1.7	2.6	3.05	6.1	CC
LMD8822AG-XX								CA
LMD8821ASR-XX	GaAlAs	Red	660	1.5	2.4	6.1	12	CC
LMD8822ASR-XX								CA
LMD8821AE-XX	GaAsP/GaP	Orange Red	635	1.7	2.6	3.05	5.0	CC
LMD8822AE-XX								CA



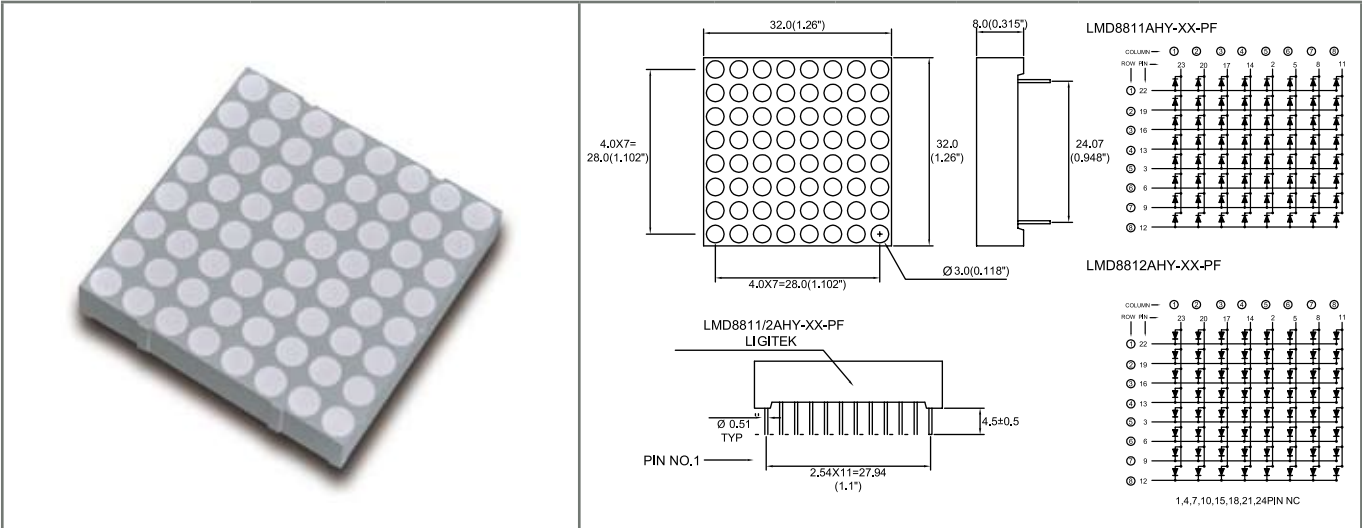
Part No	Chip			Vf(V)@20mA		Iv(mcd)@10mA		CC or CA
	Material	Emitted color	λP(nm)	Min	Max	Min	Typ	
LMD8821BEGR-XX	GaAsP/GaP	Orange Red	635	1.7	2.6	4.0	6.1	CC
	GaP	Green	565	1.7	2.6	5.0	7.2	
LMD8822BEGR-XX	GaAsP/GaP	Orange Red	635	1.7	2.6	4.0	6.1	CA
	GaP	Green	565	1.7	2.6	5.0	7.2	

DOT MATRIX DISPLAY

DOT MATRIX DISPLAY



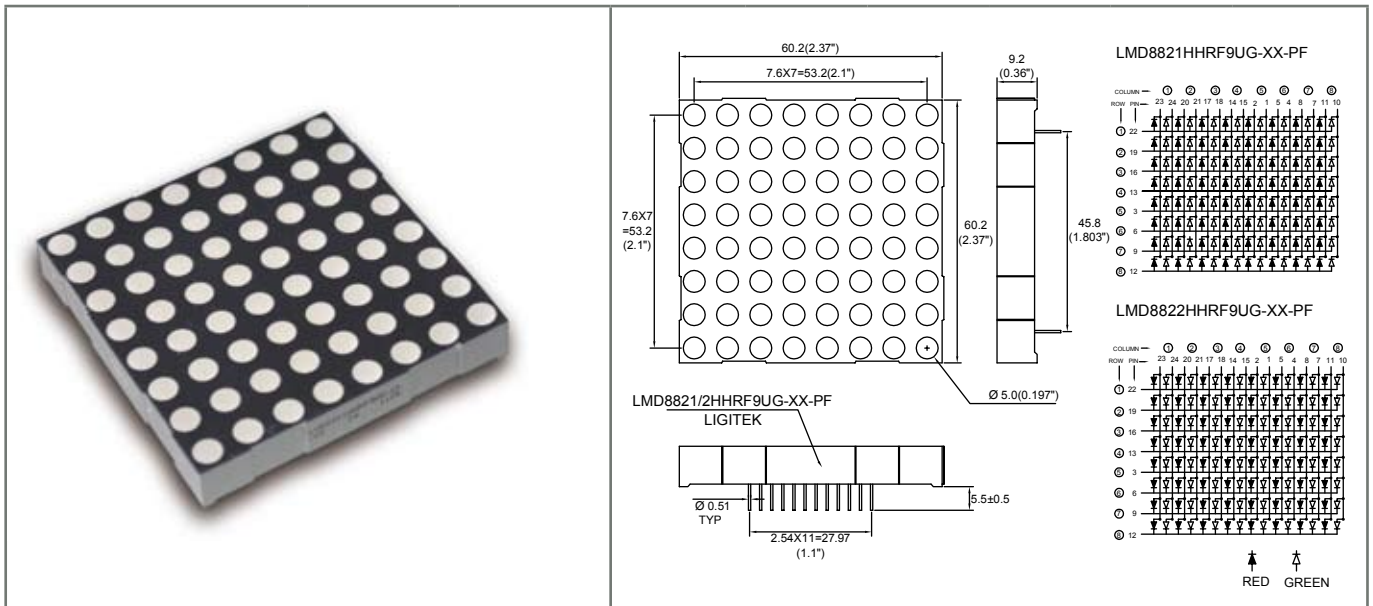
Part No	Chip			Vf(V)@20mA		Iv(mcd)@10mA		CC or CA
	Material	Emitted color	$\lambda D(nm)$ * $\lambda P(nm)$	Min	Max	Min	Typ	
LMD8801BG-PF	GaP	Green	* 565	1.7	2.6	1.75	3.05	CC
LMD8802BG-PF								CA
LMD8801BHRF-PF	AlGalnp	Red	630	1.5	2.4	12.8	21.5	CC
LMD8802BHRF-PF								CA



Part No	Chip			Vf(V)@20mA		Iv(mcd)@10mA		CC or CA
	Material	Emitted color	$\lambda D(nm)$	Min	Max	Min	Typ	
LMD8811A9UG-XX-PF	AlGalnp	Green	574	1.7	2.6	7.2	12.8	CC
LMD8812A9UG-XX-PF								CA
LMD8811A HRF-XX	AlGalnp	Red	630	1.5	2.4	12.8	21.5	CC
LMD8812A HRF-XX								CA
LMD8811AHY-XX-PF	AlGalnp	Yellow	595	1.7	2.6	12.8	21.5	CC
LMD8812AHY-XX-PF								CA

DOT MATRIX DISPLAY

DOT MATRIX DISPLAY



Part No	Chip			Vf(V)@20mA		Iv(mcd)@10mA		CC or CA
	Material	Emitted color	λP(nm)	Min	Max	Min	Typ	
LMD8821HSRVG-XX-PF	GaAlAs	Red	660	1.5	2.4	7.2	12.8	CC
	GaP	Green	565	1.7	2.6	7.2	12.8	
LMD8822HSRVG-XX-PF	GaAlAs	Red	660	1.5	2.4	7.2	12.8	CA
	GaP	Green	565	1.7	2.6	7.2	12.8	
Part No	Chip			Vf(V)@20mA		Iv(mcd)@10mA		CC or CA
	Material	Emitted color	λD(nm)	Min	Max	Min	Typ	
LMD8821HHRF9UG-XX-PF	AlGalnp	Red	630	1.5	2.4	8.5	15.2	CC
	AlGalnp	Green	574	1.7	2.6	6.1	10.5	
LMD8822HHRF9UG-XX-PF	AlGalnp	Red	630	1.5	2.4	8.5	15.2	CA
	AlGalnp	Green	574	1.7	2.6	6.1	10.5	